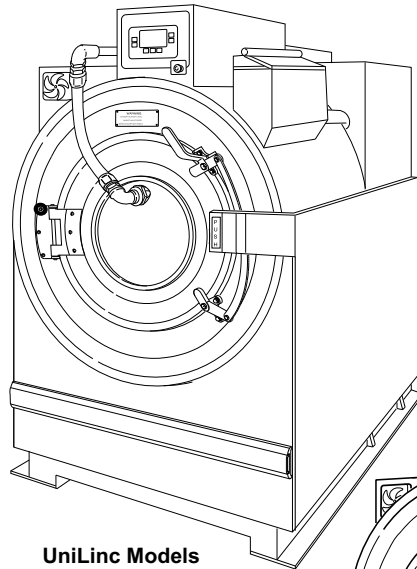


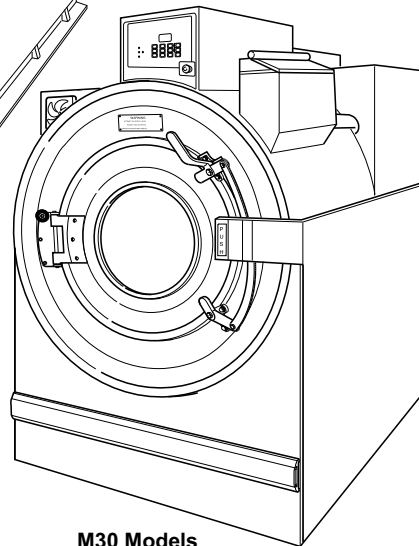
Washer-Extractor

Pocket Hardmount

Refer to Page 3 for Model Numbers



UniLinc Models



M30 Models

PHM1419C_F8163601

Table of Contents

Title	Page
Parts Ordering Information.....	2
Nameplate Location	2
Model Identification	3
Pocket Hardmount Washer-Extractor Product Overview - Models UW80TV and UW100TV	4
Pocket Hardmount Washer-Extractor Product Overview - UWL080, UWL100, UWN080, UWN100, UWU080 and UWU100 Models.....	6
Control Module (Drawing 1 of 3)	8
Control Module (Drawing 2 of 3)	10
Control Module (Drawing 3 of 3)	12
AC Drive Box (Drawing 1 of 2).....	14
AC Drive Box (Drawing 2 of 2).....	16
Balance Switch, Temperature Probe and Rotation Sensor	18
Panels	20
Drive Box and Water Supply Box - Models Through 10/3/10.....	22
Drive Box and Water Supply Box - Models Starting 10/4/10.....	24
Spray Tube Assembly - Models Through 10/3/10.....	26
Door Assembly - Models Through 10/3/10	28
Door and Spray Tube Assembly - Models Starting 10/4/10.....	30
Door Lock.....	32
Basket, Shell and Frame (Drawing 1 of 2)	34
Basket, Shell and Frame (Drawing 2 of 2)	36
Supply Dispenser.....	38
Water Supply Valve and Hoses to Supply Dispenser - Models Through 10/3/10.....	40
Water Supply Valve and Hoses to Supply Dispenser - Models Starting 10/4/10.....	42
Spray and Fill Plumbing Assemblies - Models Through 10/3/10.....	44
Fill Plumbing Assemblies - Models Starting 10/4/10	46
Fill Plumbing Assembly - Models Through 10/3/10.....	48
Spray Plumbing Assembly - Models Starting 10/4/10.....	50
Drain - Models Through 10/3/10	52
Drain - Models Starting 10/4/10	54
Motor, Pulley and Bearings.....	56
Electric Heat Option	58
Steam Heat Option - Models Through 10/3/10	60
Steam Heat Option - Models Starting 10/4/10	62
Special Tools	64
Parts Index.....	67

© Copyright 2013, Alliance Laundry Systems LLC

All rights reserved. No part of the contents of this book may be reproduced or transmitted in any form or by any means without the expressed written consent of the publisher.

Parts Ordering Information

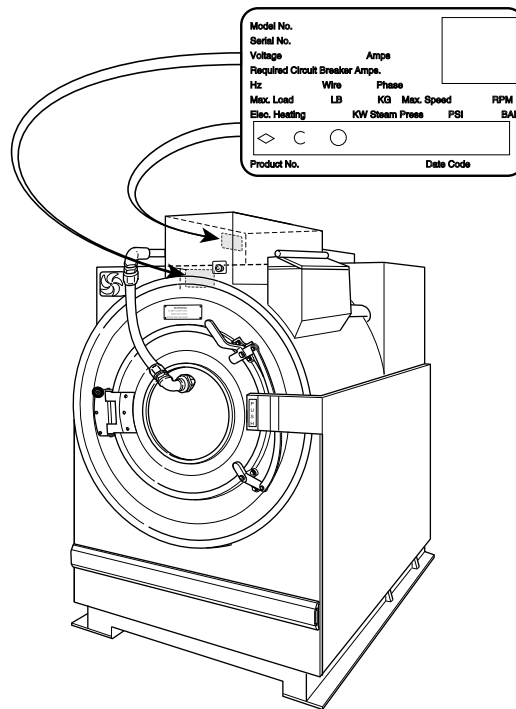
If literature or replacement parts are required, contact the source from whom the machine was purchased or contact Alliance Laundry Systems at (920) 748-3950 for the name and address of the nearest authorized parts distributor.

For technical assistance, call either of the numbers listed below:

(920) 748-3121 Ripon, Wisconsin
+32 56 41 20 54 Wevelgem, Belgium

Nameplate Location

When calling or writing about your product, be sure to mention model and serial numbers. Model and serial numbers are located on nameplate(s) as shown.



PHM3110P_F8163601

Model Identification

Information in this manual is applicable to these washer-extractor models:

UW80TV
UW100TV

UWL080K1M
UWL080T3V
UWL100K1M
UWL100T3V

UWN080K1M
UWN080K1V
UWN080T3V
UWN100K1M
UWN100K1V
UWN100T3V

UWU080K1M
UWU080T3V
UWU100K1M
UWU100T3V

Pocket Hardmount Washer-Extractor Product Overview - Models UW80TV and UW100TV

Model No. **UW60AVXUB0001**

Serial No. **00000000000**

Voltage **200 – 240** Amps **10**

Circuit Breaker **15 Amps**

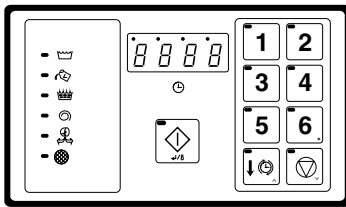
Hz **50 – 60** Wire **2/3** Phase **S 3**

Max. Load **60 LB** **27 KG** Max. Speed **594 RPM**

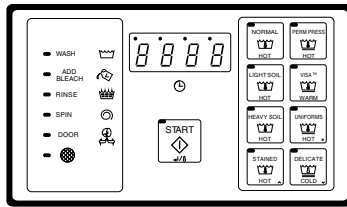
Elec. Heating **N/A** Steam Press. **N/A PSI** **0.0 BAR**

Drawings:

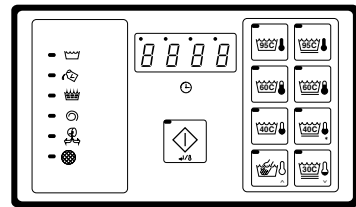
ETL Listed
Conforms To ANSI/UL Std. 1206, 3rd Ed
Certified To CAN/CSA Std. C22.2 No.53-1968



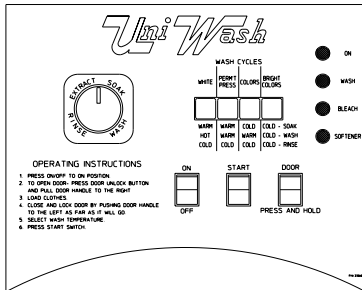
A-Control



B-Control (Domestic)



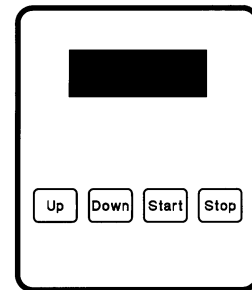
B-Control (International)



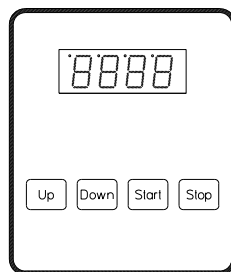
Mechanical Timer



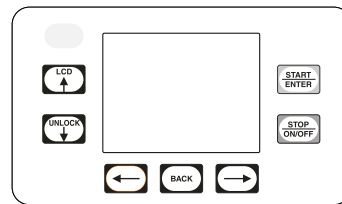
WE-6 Control



S-Computer



V-Computer



UniLinc Control

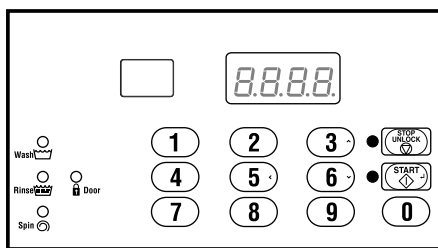
PHM2979P_F8163601

Pocket Hardmount Washer-Extractor Product Overview - Models UW80TV and UW100TV

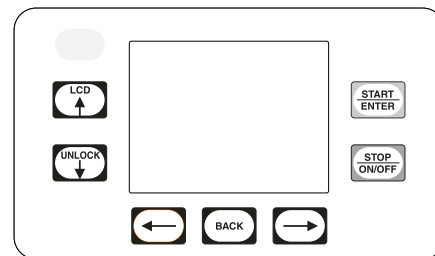
REF	PART NO.	DESCRIPTION	COMMENTS
1	-	Product Family	UW
2	-	Capacity (Pounds)	35 60 80 100 125 150
3	-	Control	A (A-Control) B (B-Control) M (Mechanical Timer) P (WE-6 Control) S (S-Computer) V (V-Computer) T (UniLinc Control)
4	-	Speed	2 (2-Speed) 3 (3-Speed) 4 (4-Speed) V (Variable-Speed)
5	-	Voltage	F (440-480/60/3/3) N (440-480/50-60/3/3) O (208-240/60/3/3) P (380-415/60-60/3/3) Q (200-208/220-240/50/60/3ph) R (380-415/440-480/50/60/3ph) X (200-220/220-240/50/60/1-3) Y (208-240/60/1/2)
6	-	OEM	U (Standard Specs)
7	-	Design Series	1-8

Pocket Hardmount Washer-Extractor Product Overview - UWL080, UWL100, UWN080, UWN100, UWU080 and UWU100 Models

Model No. **UWN060T3VXU1001**
 Serial No. **000000000000**
 Voltage **200 – 240** Hz **50-60** Phase **3**
 Number of wires : **3** FLA : **19** amps
 Circuit Breaker Size : **30** amps
 Max. Load : **60** LB **27** KG
 Schematic :
 Supply Water: **30 - 85** psi, **2 - 5.7** BAR



M30 Control



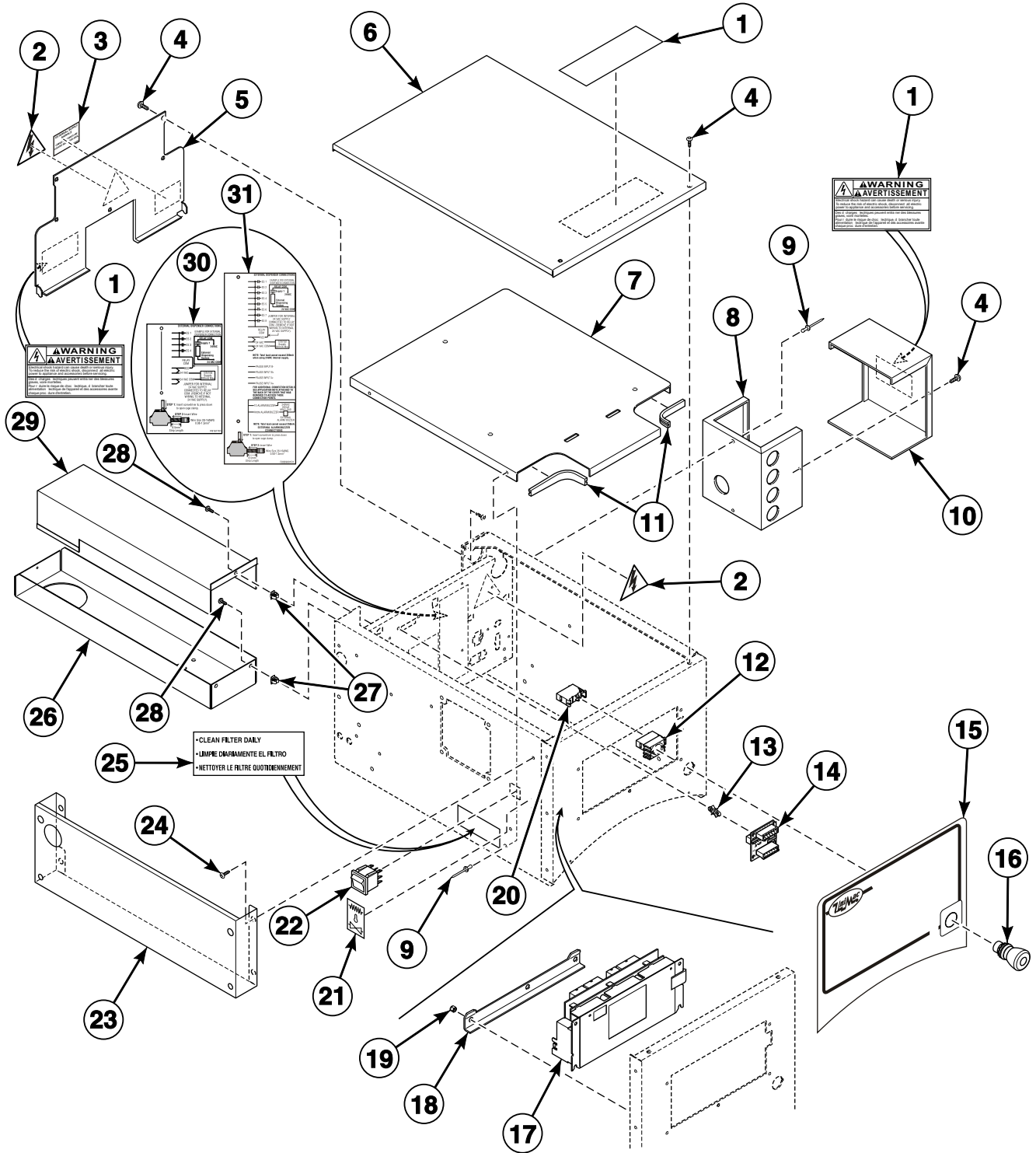
UniLinc Control

PHM3063P_F8163601

Pocket Hardmount Washer-Extractor Product Overview - UWL080, UWL100, UWN080, UWN100, UWU080 and UWU100 Models

REF	PART NO.	DESCRIPTION	COMMENTS
1	-	Product Family	UW
2	-	Market Approvals	N (Domestic ETL) L (International ETL) U (International CE)
3	-	Capacity (Dry Weight in Pounds)	035 060 080 100 125 150
4	-	Control	K (M30 Control) T (UniLinc Control)
5	-	Spray/Dispenser Feature	1 (No spray but with dispenser) 3 (With spray and dispenser)
6	-	Speed	2 (2-Speed) L (Low-Speed - 100/60) M (Medium-Speed - 180/120/60) V (Variable-Speed - 300/240/180/120/60)
7	-	Voltage	O (208/220-240/60/3/3) X (200-208/220/240/50/60/1/3) Q (200-208/220-240/50/60/3) R (380-415/440-480/50/60/3)
8	-	OEM	U
9	-	Design Series	1
10	-	Heat Feature	0 (Prep for steam) D (Direct steam) E (Electric heat) P (Prep for electric and steam heat)
11	-	Features and Options	

Control Module (Drawing 1 of 3)

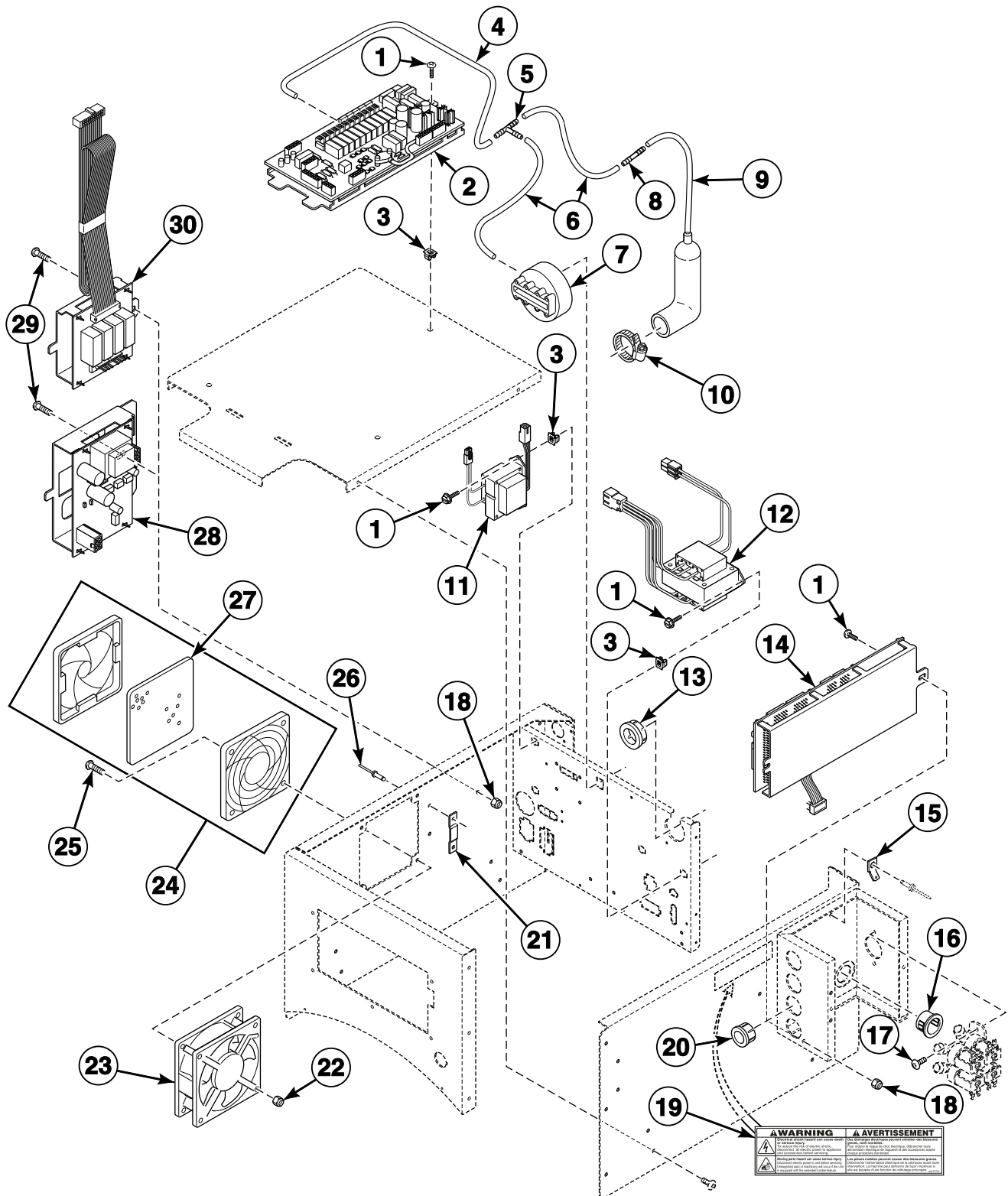


PHM3106P_F8163601

Control Module (Drawing 1 of 3)

REF	PART NO.	DESCRIPTION	COMMENTS
	NK220	Network Controller Kit	
1	F8233501	Warning Label	Disconnect power
2	502511	Electrical Shock Label	
3	F8150201	External Supply Connection Decal	
4	F8117601	Screw	
5	F8170501	Control Box Rear Panel	
6	F8170601	Control Box Top Panel	
7	F8055001	Control Box Contactor Panel	
8	F8055301	External Supply Box	Models through 10/3/10
9	F431210	Pop Rivet	Models through 10/3/10
10	F635365	External Supply Box Cover	Models through 10/3/10
11	F8152701	Trim	
12	F200233401	Contact Block Switch	
	F8060501	Emergency Stop Harness	
13	210098	PC Board Standoff	Network models
14	210095P	Communication Board	Network models
	NK205	Network Retrofit Kit	Includes item 13, 201341 Network Board Assembly, 210099 Communication Connector, 51780 Screw, 210095 Communication Board, 800219 Communication Wire Harness Assembly, 803195 Conversion Label and 44088501 Network Wire Harness Assembly
	NK301	Wireless Network Kit	Includes 202335 Wireless Transceiver Assembly, 44088501 Network Wire Harness Assembly, 501441 Electronic Control Shield, 55881 Harness Strap, 503661 Screw, F430903 Screw and F430232 Nut
	NK320	Ethernet Gateway Kit	Used with NK301 Wireless Network Kit
	NK330	USB Gateway Kit	Used with NK301 Wireless Network Kit
15	F8427001	Control Module Decal	Models UW80TV, UW100TV, UWL080T3V, UWL100T3V, UWN080T3V, UWN100T3V, UWU080T3V and UWU100T3V
	F8297101	Overlay	All other models
16	F200233500	Emergency Stop Pushbutton	
17	F982P3	Control Kit	Models UW80TV, UW100TV, UWL080T3V, UWL100T3V, UWN080T3V, UWN100T3V, UWU080T3V and UWU100T3V
	F983P3	Control Kit	All other models
18	F8036101	Control Board Bracket	
19	685846	Nut	
20	F8069501	Contact Switch	
21	F8368301	Steam-Electric Switch Label	Dual steam and electric heat
22	F8367701	Rocker Switch	Dual steam and electric heat
23	F8103001	Supply Controls Bracket	Models UW80TV and UW100TV; Models through 6/30/08
24	F430903	Screw	Models UW80TV and UW100TV; Models through 6/30/08
25	F200061000	Clean Filter Daily Decal	
26	F8073003	Control Harness Tray	80 pound models; Models through 10/3/10
	F8073004	Control Harness Tray	100 pound models; Models through 10/3/10
	F8290302	Control Harness Tray	80 pound models; Models starting 10/4/10
	F8290304	Control Harness Tray	100 pound models; Models starting 10/4/10
27	70030501	Expansion Clip	
28	F8117601	Screw	
29	F8073103	Harness Tray Cover	80 pound models; Models through 10/3/10
	F8073104	Harness Tray Cover	100 pound models; Models through 10/3/10
	F8290802	Harness Tray Cover	80 pound models; Models starting 10/4/10
	F8290804	Harness Tray Cover	100 pound models; Models starting 10/4/10
30	F8161701	External Supply Label	Models UWL080K1M, UWL100K1M, UWN080K1M, UWN080K1V, UWN100K1M, UWN100K1V, UWU080K1M and UWU100K1M
31	F8059801	External Supply Connection Decal	Models UW80TV, UW100TV, UWL080T3V, UWL100T3V, UWN080T3V, UWN100T3V, UWU080T3V and UWU100T3V

Control Module (Drawing 2 of 3)

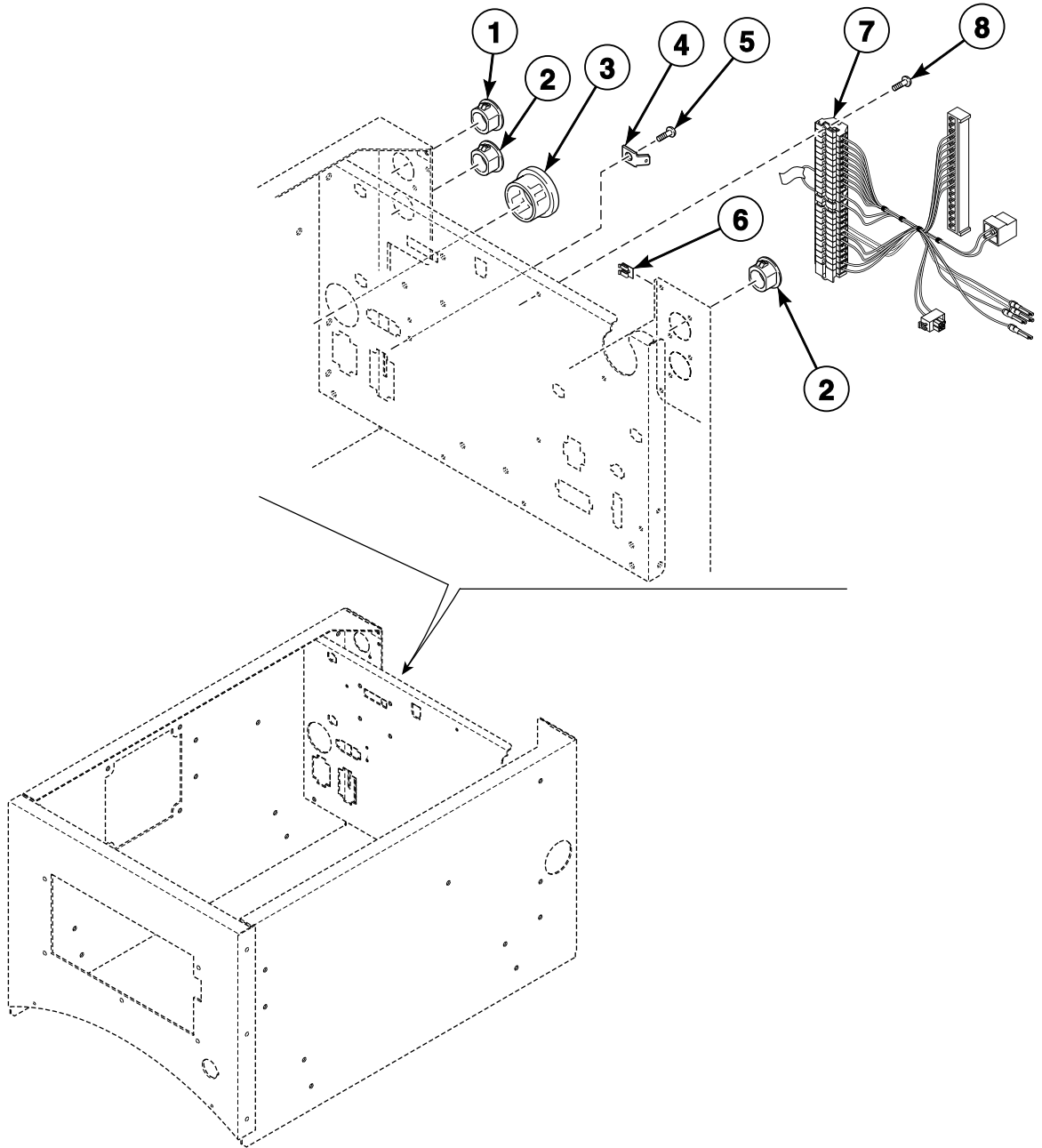


PHM3035P_F8163601

Control Module (Drawing 2 of 3)

REF	PART NO.	DESCRIPTION	COMMENTS
	F8028110	CFG Harness	UW80 models
	F8028111	CFG Harness	UW100 models
	44088501P	Network Wire Harness Assembly	
	F8028401	Output Auxiliary Power Harness	
	F8367801	Power Harness	Dual steam and electric heat
	F8060401P	Power Harness	All other heat
	F8030101P	Drive Control Harness	
	F8030501P	Interlock Switch Harness	Models UW80TV, UW100TV, UWL080T3V, UWL100T3V, UWN080T3V, UWN100T3V, UWU080T3V and UWU100T3V
	F8158801P	Interlock Switch Harness	All other models
	M413506	Jumper Harness Assembly	208 Volt
	M413507	Jumper Configuration Assembly	240 Volt
1	F8117601	Screw	Models UW80TV and UW100TV
	F8206901	Screw	All other models
2	F980P3	Control Assembly Kit	
	802492	Fuse	5 Amp
	802493	Fuse	2.5 Amp
3	70030501	Expansion Clip	
4	F8153901	Tubing	
5	F8246601	Tee	
6	F8153902	Tubing	
7	F8223001P	Water Pressure Switch	
8	F422500	Connector	
9	F020014200	Air Trap Hose	
10	F200222	Hose Clamp	No. 12
11	201616	Transformer	External supply transformer
12	210019P	Transformer Kit	Machine control step-down transformer
13	70346501	Bushing	
14	F8108501P	Output Assembly	
15	00177	Male Tab Terminal	Models through 10/3/10
16	M405340	Snap Bushing	Models through 10/3/10
17	F430948	Screw	Models through 10/3/10
18	F430232	Nut	
19	44127701	Warning Label	
20	F140938	Snap Bushing	Models through 10/3/10
21	F8079401	Network Board Bracket	
22	F430231	Nut	
23	F110110	Muffin Fan	
24	F220900	Filter Retainer Guard	Includes item 27
25	F430910	Screw	
26	F431210	Pop Rivet	
27	F200318900P	Filter	
28	201341	Network Board Assembly	Network models
29	F430903	Screw	
30	F8189401	Auxiliary Control Assembly	Models UWL080K1M, UWL100K1M, UWN080K1M, UWN080K1V, UWN100K1M, UWN100K1V, UWU080K1M and UWU100K1M

Control Module (Drawing 3 of 3)

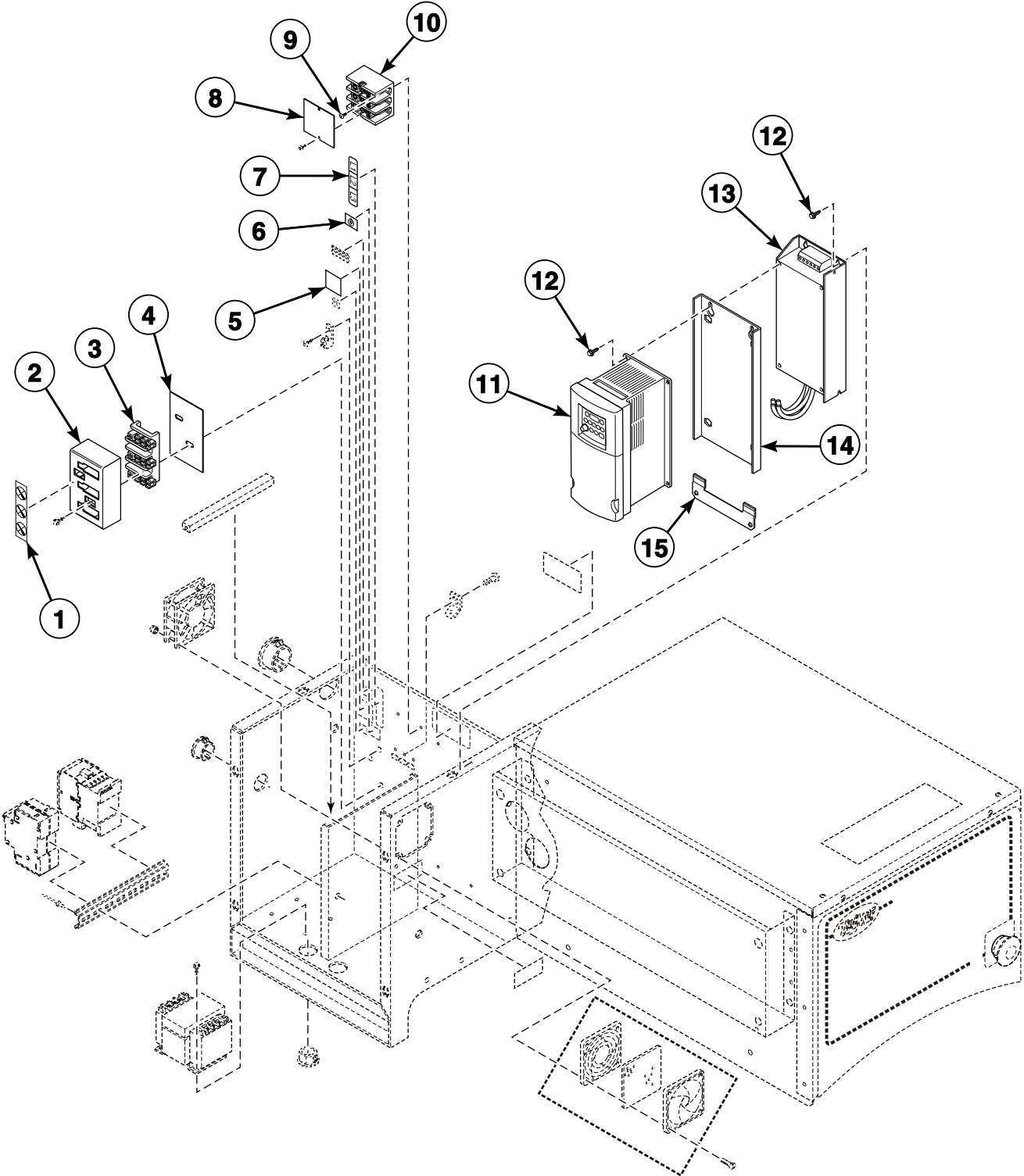


PHM3111P_F8163601

Control Module (Drawing 3 of 3)

REF	PART NO.	DESCRIPTION	COMMENTS
1	F180486	Cap Plug	Models UW80TV and UW100TV
	F8223901	Plug	All other models
2	F140527	Plug	Models UW80TV and UW100TV
	M400985	Plug	All other models
3	M402542	Snap Bushing	
4	00117	Female Pin Terminal	
5	51780	Screw	
6	M400984	Clip	
7	F8029501P	External Supply Harness	Models UW80TV, UW100TV, UWL080T3V, UWL100T3V, UWN080T3V, UWN100T3V, UWU080T3V and UWU100T3V
	F8191201P	External Supply Harness	All other models
8	F8136601	Screw	

AC Drive Box (Drawing 1 of 2)

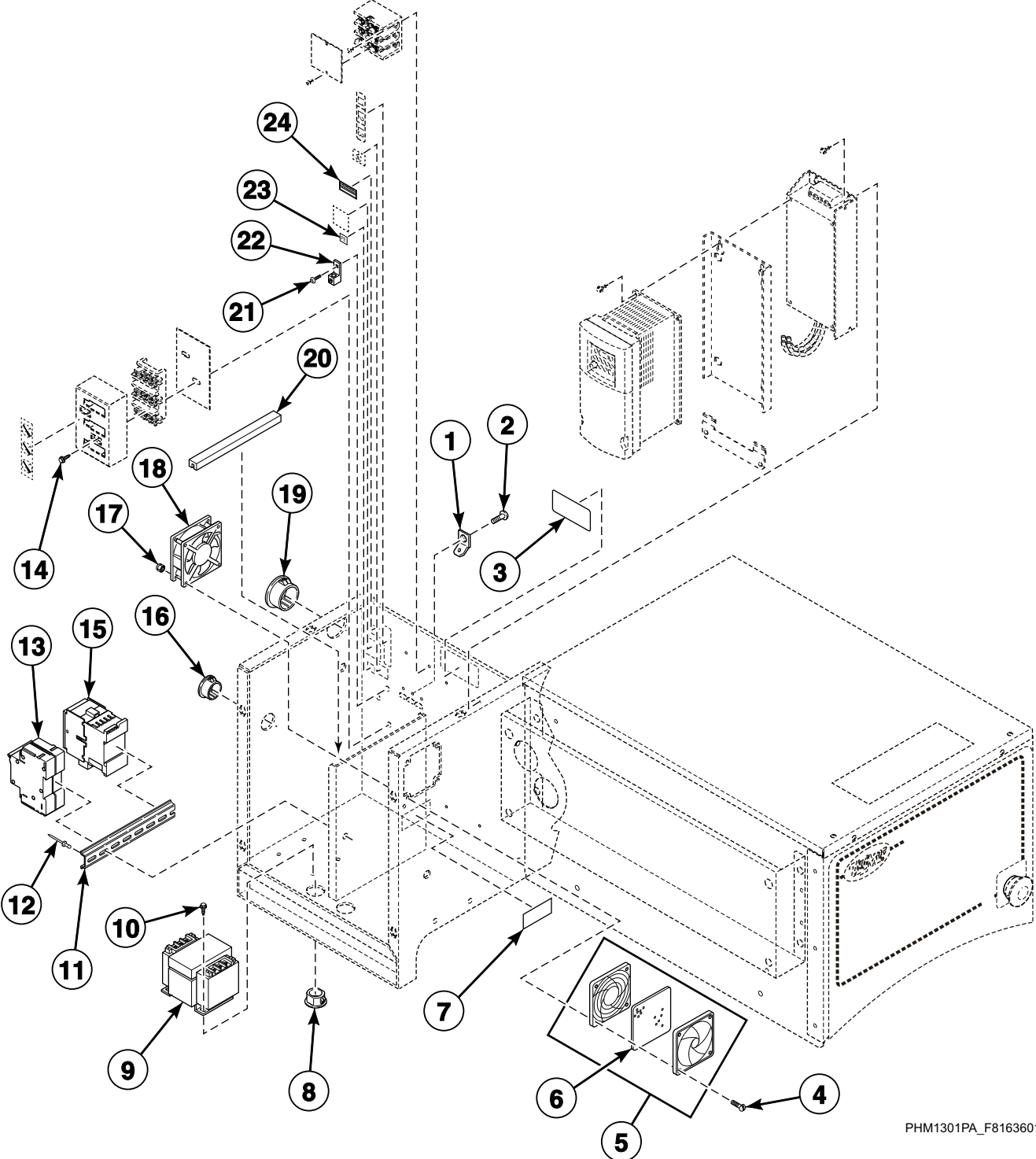


PHM1301P_F8163601

AC Drive Box (Drawing 1 of 2)

REF	PART NO.	DESCRIPTION	COMMENTS
	F8054901	Electric Heat Coils Harness	KM8A
	F8054903	Electric Heat Coils Harness	KM8ABC
	F8060001	Logic Supply Power Harness	
	F8028701	Output/Logic Harness	
	F8060301	Main Power Harness	
	F8054601	Electric Heat Harness	Left; Q and R-voltage
	F8054602	Electric Heat Harness	Middle; Q-voltage
	F8054603	Electric Heat Harness	Right; Q-voltage
1	F8345901	Do Not Tamper Label	
2	70333001	Terminal Block Shield	
3	430642	Terminal Block	
4	M413862	Insulator	
5	F230630	Ground Decal	
6	F230739	Ground Decal	
7	70218701	Wire Label	
8	44014901P	Power Distribution Block Cover	Electric heat
9	39733	Screw	Electric heat
10	M413865	Terminal Block	Electric heat
11	F8169666	AC Drive	Models UW80TV, UWL080K1M, UWL080T3V, UWN080K1M, UWN080K1V, UWN080T3V, UWU080K1M and UWU080T3V; Q-voltage
	F8169667	AC Drive	Models UW80TV, UWL080K1M, UWL080T3V, UWN080K1M, UWN080K1V, UWN080T3V, UWU080K1M and UWU080T3V; R-voltage
	F8169668	AC Drive	Models UW100TV, UWL100K1M, UWL100T3V, UWN100K1M, UWN100K1V, UWN100T3V, UWU100K1M and UWU100T3V; Q-voltage
	F8169669	AC Drive	Models UW100TV, UWL100K1M, UWL100T3V, UWN100K1M, UWN100K1V, UWN100T3V, UWU100K1M and UWU100T3V; R-voltage
	F8027802	Drive Power Harness	
	F8030201P	Drive Control Harness	
12	M411072	Screw	
13	F8054001	EMI Filter	CE models; Q-voltage
	F8054002	EMI Filter	CE models; R-voltage
	F8129001	EMI Filter Power Harness	CE models
14	F8386902	Drive Mounting Bracket	Models starting 10/4/10; Not needed when EMI filter is present
15	F8322402	Drive Bracket	Models starting 10/4/10

AC Drive Box (Drawing 2 of 2)

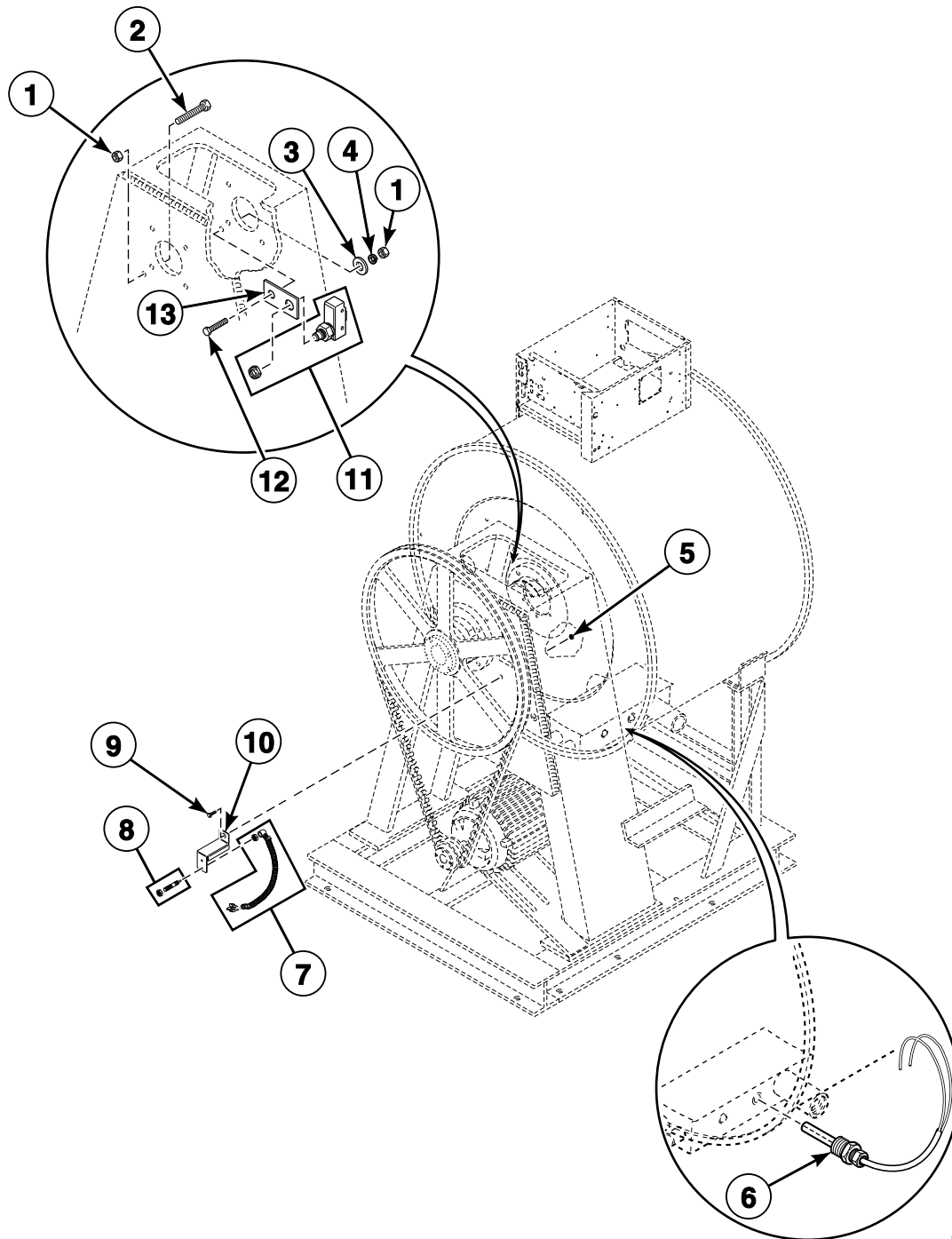


PHM1301PA_F8163601

AC Drive Box (Drawing 2 of 2)

REF	PART NO.	DESCRIPTION	COMMENTS
1	M411283	Ground Lug Connector	
2	F430903	Screw	
3	F8115501	Electric Shock Danger Label	
4	F8151201	Screw	
5	F220900	Filter Retainer Guard	Includes item 6
6	F0270321-00P	Filter	
7	F200061000	Clean Filter Daily Decal	
8	F8144101	Plug	
9	F360157P	Transformer	R-voltage
10	M411072	Screw	
11	F8134101	DIN Rail	
12	70058501	Pop Rivet	
13	F8303001P	Circuit Breaker	R-voltage
	70256901P	Circuit Breaker	Q and R-voltage; Electric heat
	F8030001	Harness	PDB-CB; Q and R-voltage; Electric heat
	F8030002P	Harness	CB-TB; Q and R-voltage; Electric heat
	F8405101	Step Down Power Harness	R-voltage
14	M412105	Screw	Models UW80TV and UW100TV
	51783	Screw	All other models
15	F330188P	Contactator	NX208; Q and R-voltage; Electric heat; 1 used on R-voltage models and 3 used on Q-voltage models
16	M402542	Snap Bushing	Models UW80TV and UW100TV
	F8223901	Plug	All other models
17	F430231	Nut	
18	F110110	Muffin Fan	
	F8113901	Drive Fan Harness	
19	F8223801	Hole Plug	UWL, UWN and UWU models; Electric heat
	F8223901	Plug	UWL, UWN and UWU models; Standard
20	F8152703	Trim	
21	51780	Screw	
22	00177	Male Tab Terminal	
23	M412096	Earth Terminal Sticker	
24	F8242201	Use Copper Conductors Only Caution Label	UWL, UWN and UWU models

Balance Switch, Temperature Probe and Rotation Sensor

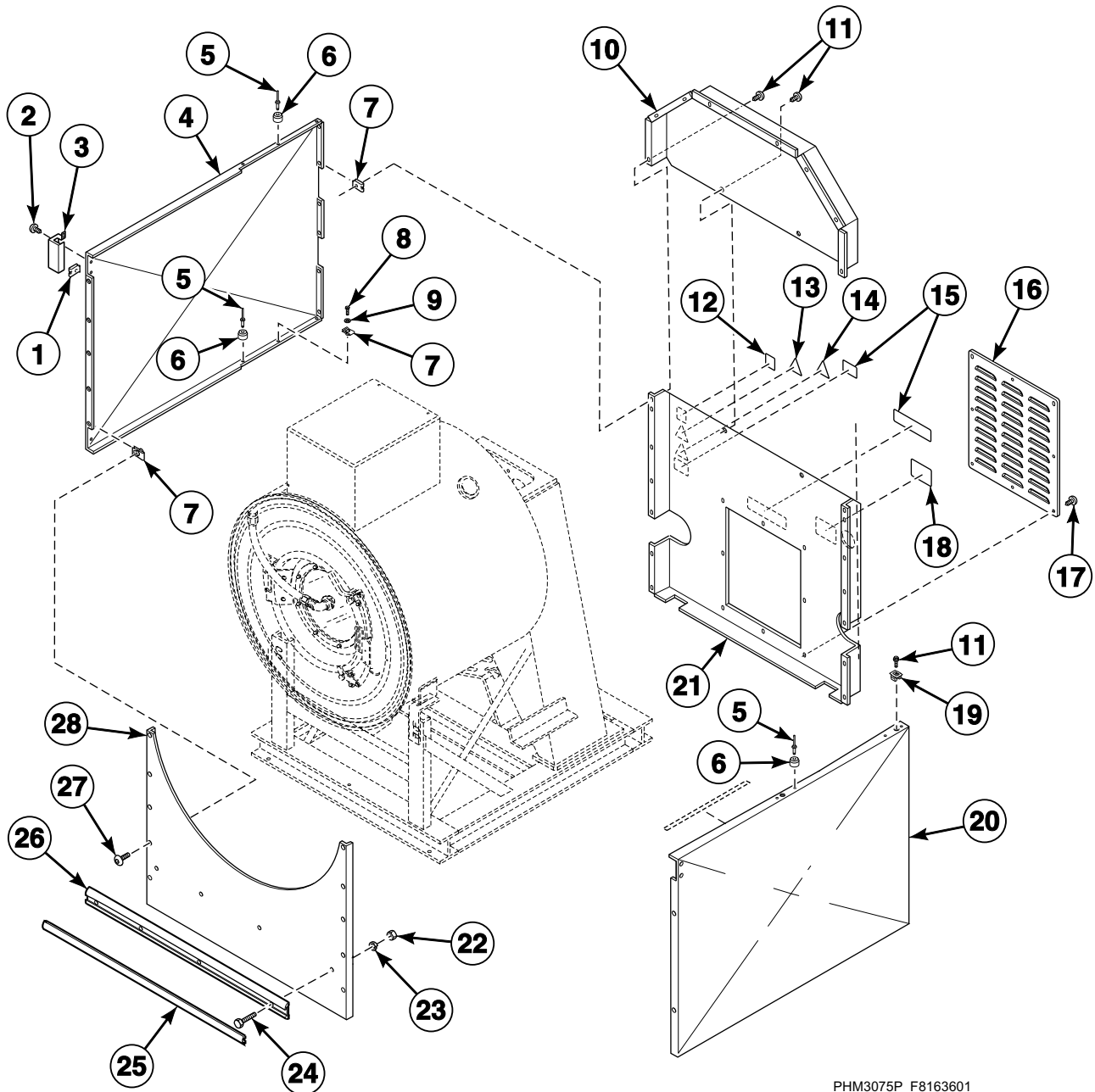


PHM2870P_F8163601

Balance Switch, Temperature Probe and Rotation Sensor

REF	PART NO.	DESCRIPTION	COMMENTS
1	44087301	Nut	
2	F8111101	Screw	
3	M400081	Washer	
4	M400014	Washer	
5	F430218	Nut	
6	F370609	Thermistor Sensor	
	F421936	Reducer Bushing	
	F8028221P	Temperature Harness	Electric heat
	F8028223	Temperature Harness	Standard
7	F8066401	Rotation Sensor Harness	
8	F8066201	Rotation Sensor	
9	F430927	Screw	
10	F8103101	Rotation Sensor Bracket	
11	F8165201	Door Switch	
12	F8122701	Screw	
13	F8124301	Balance Switch Bracket	

Panels

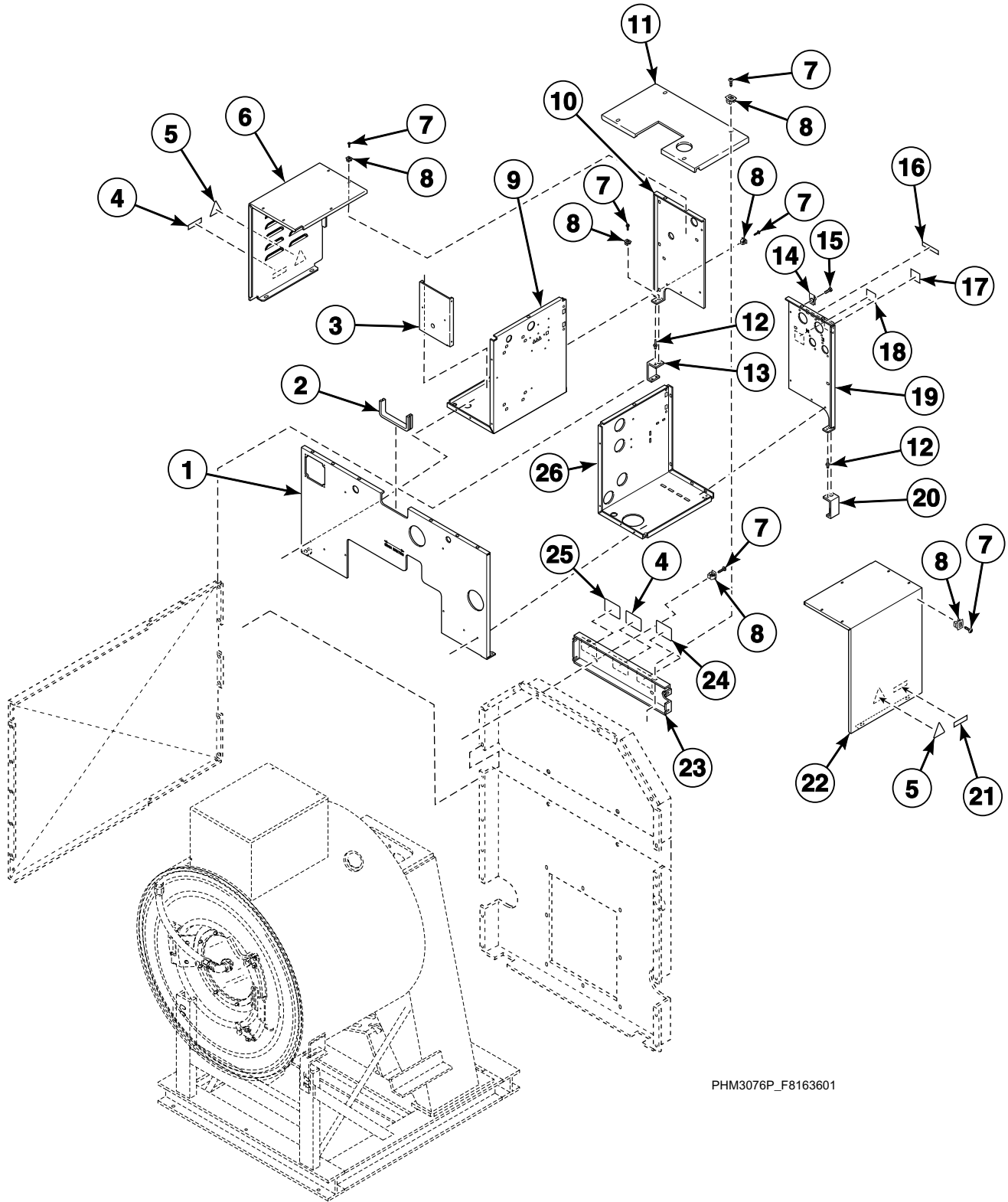


PHM3075P_F8163601

Panels

REF	PART NO.	DESCRIPTION	COMMENTS
1	F430264	Nut	
2	F430956	Screw	
3	F8098401	Side Panel Cover	
4	F8105702P	Left Side Panel	80 pound models
	F8106002P	Left Side Panel	100 pound models
5	M412763	Rivet	
6	56079	Panel Locator	
7	70030401	Nut	
8	20253	Screw	
9	M405535	Washer	
10	F8244301P	Upper Belt Guard	Models through 10/3/10
	F8392901	Upper Belt Guard	Models starting 10/4/10
11	F8117601	Screw	Models UW80TV and UW100TV
	F8206901	Screw	All other models
12	F200318200	Cover Decal	Models UW80TV and UW100TV
13	70360901	Belt Edging	Models UW80TV and UW100TV
14	502511	Electrical Shock Label	Models UW80TV and UW100TV
15	44127701	Warning Label	
16	F8117501	Belt Access Guard Panel	
17	70240301	Screw	
18	F8246401	Mount on Concrete Warning Label	UWL, UWN and UWU models
19	70030501	Expansion Clip	
20	F8105701P	Right Side Panel	80 pound models
	F8106001	Right Side Panel	100 pound models
21	F8244401P	Lower Belt Guard Assembly	Dual drain
	F8244402	Lower Belt Guard Assembly	Single drain
22	F430211	Nut	
23	F431100	Washer	
24	F430921	Screw	
25	F150397	Extrusion Insert	Order 4 feet
26	F150409	Rub Rail	
27	70182601	Screw	
28	F8096201P	Front Panel	

Drive Box and Water Supply Box - Models Through 10/3/10



PHM3076P_F8163601

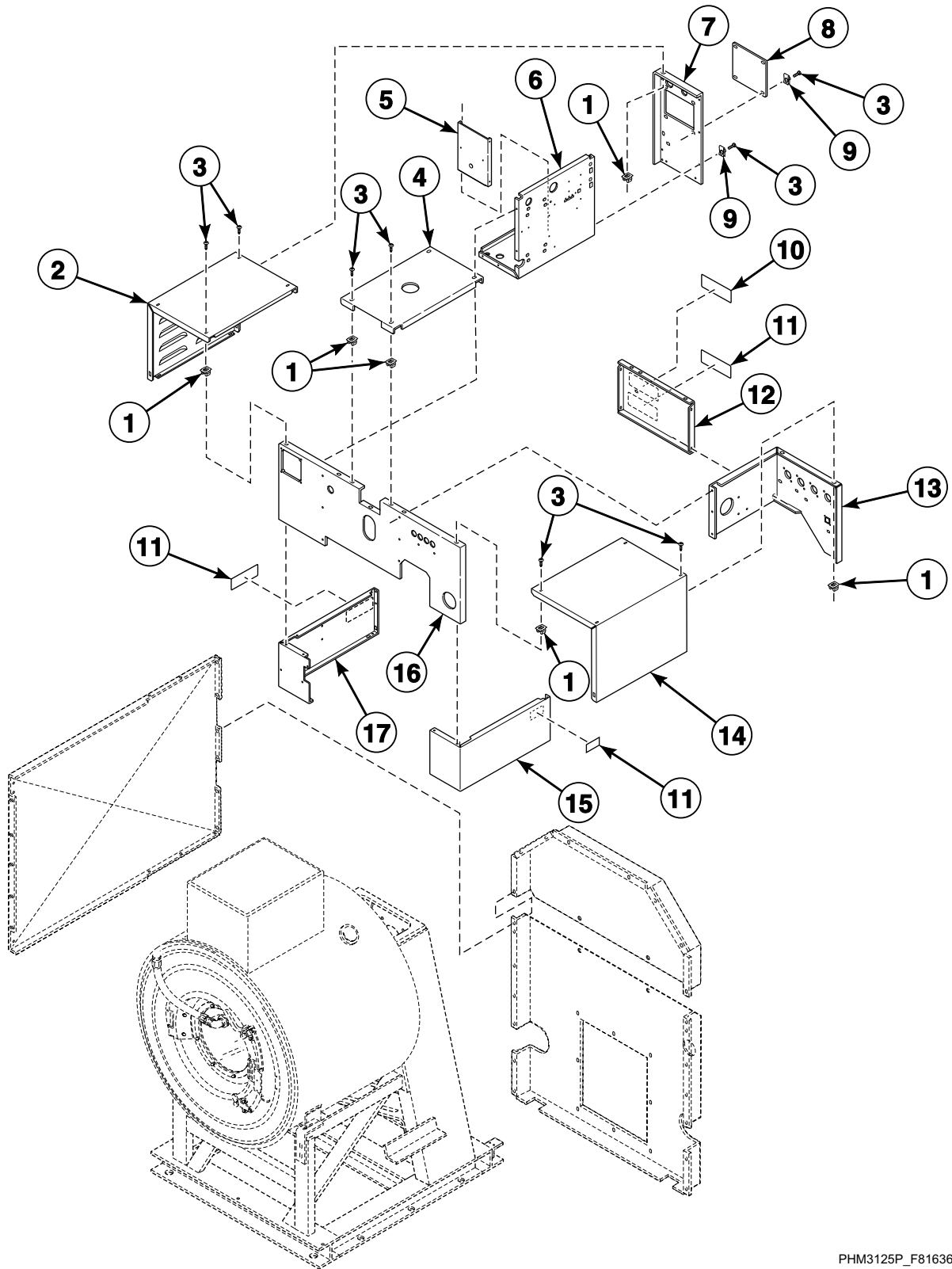
Drive Box and Water Supply Box - Models Through 10/3/10

REF	PART NO.	DESCRIPTION	COMMENTS
1	F8105601	Front Box Cover	Models UW80TV and UW100TV
	F8283601	Front Bulkhead Panel	All other models
2	F170402P	Gasket	2 feet used
3	F8120201	Partition	
4	44127701	Warning Label	
5	502511	Electrical Shock Label	
6	F8105102	Left Side Cover	Models UW80TV and UW100TV
	F8283902	Left Side Cover	All other models
7	F8117601	Screw	Models UW80TV and UW100TV
	F8206901	Screw	All other models
8	70030501	Expansion Clip	
9	F8105201	Drive Box Bottom	Models UW80TV and UW100TV
	F8284001	Drive Box Bottom Panel	All other models
10	F8118702	Rear Drive Box Panel	Models UW80TV and UW100TV
	F8283802	Drive Box Rear Panel	All other models
11	F8105401	Top Cover Panel	
12	70058501	Pop Rivet	UWL, UWN and UWU models
13	F8302602	Support Bracket	UWL, UWN and UWU models
14	70030401	Nut	
15	20253	Screw	
16	F230734	Water Line Caution Decal	Models UW80TV and UW100TV
17	N/A	Cold Water Label	
18	N/A	Hot Water Label	
19	F8118701	Rear Water Box Panel	Models UW80TV and UW100TV
	F8283801	Water Box Rear Panel	All other models
20	F8302601	Support Bracket	UWL, UWN and UWU models
21	F8233501	Warning Label	UWL, UWN and UWU models
22	F8105101	Right Side Cover	Models UW80TV and UW100TV
	F8283901	Right Side Cover	All other models
23	F8099301	Top Support Brace	
24	F8099701	Conversion Label	UWL, UWN and UWU models; 200-208 VAC
	F8099801	Conversion Label	UWL, UWN and UWU models; 380-415 VAC
25	F8211901	Hot Surface Warning Plate	UWL, UWN and UWU models
26	F8105301	Water Box Bottom	Models UW80TV and UW100TV
	F8283701	Water Box Bottom Panel	All other models

N/A = Part no longer available

Drive Box and Water Supply Box - Models Starting 10/4/10

UWL, UWN and UWU Models



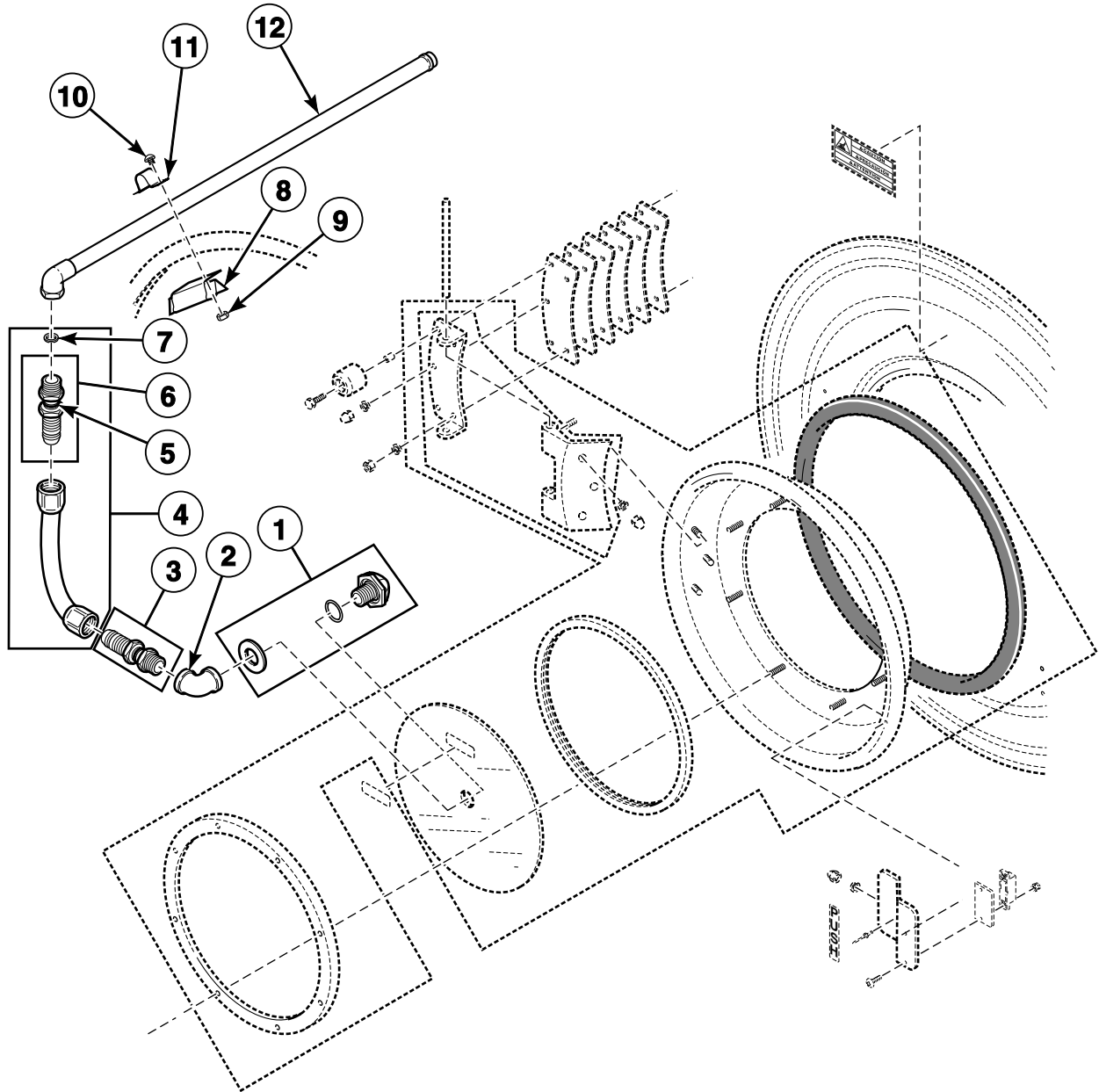
PHM3125P_F8163601

Drive Box and Water Supply Box - Models Starting 10/4/10

REF	PART NO.	DESCRIPTION	COMMENTS
1	70030501	Expansion Clip	
2	F8365002	Left Side Cover	
3	F8206901	Screw	
4	F8352702	Top Cover Panel	
5	F8375901	Drive Box Partition	
6	F8375601	Drive Mounting Box	
7	F8376001	Drive Box Rear Panel	
8	F8377601	Electrical Access Panel	
9	F430264	Nut	
10	F8099701	Conversion Label	200-208 VAC
	F8099801	Conversion Label	380-415 VAC
11	44127701	Warning Label	
12	F8346502	Rear Center Panel	
13	F8374901	Back Water Panel	
14	F8365001	Right Side Cover	
15	F8364801	Side Water Box Panel	
16	F8376101	Front Bulkhead Panel	
17	F8364901	Side Electrical Box Panel	

Spray Tube Assembly - Models Through 10/3/10

Models UW80TV, UW100TV, UWL080T3V, UWL100T3V, UWN080T3V, UWN100T3V, UWU080T3V and UWU100T3V

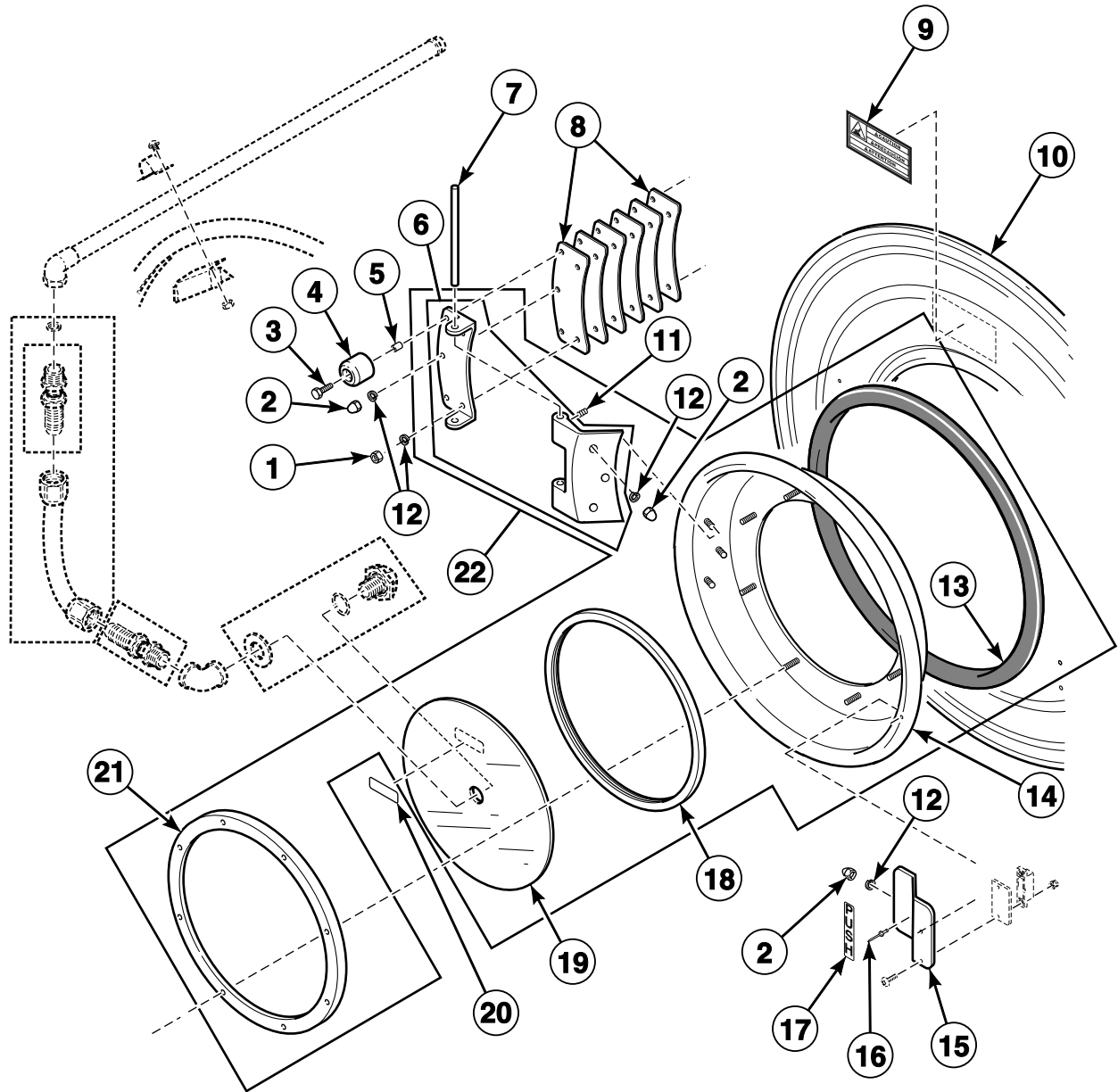


PHM2871P_F8163601

Spray Tube Assembly - Models Through 10/3/10

REF	PART NO.	DESCRIPTION	COMMENTS
1	F730077	Spray Rinse Nozzle Kit	
2	F422319	Elbow	
3	F422109	No-Swivel Coupling	
4	F730024	Spray Rinse Hose Kit	Includes items 5-7
5	F170201	O-Ring	
6	F422108	Swivel Coupling	
7	F310206	Ring Retainer	
8	F602901P	Spray Rinse Bracket Assembly	Includes items 9 and 10
9	F431022	Nut	
10	F430917	Screw	
11	F602880	Spray Rinse Strap	
12	F8126202	Spray Pipe Assembly	

Door Assembly - Models Through 10/3/10



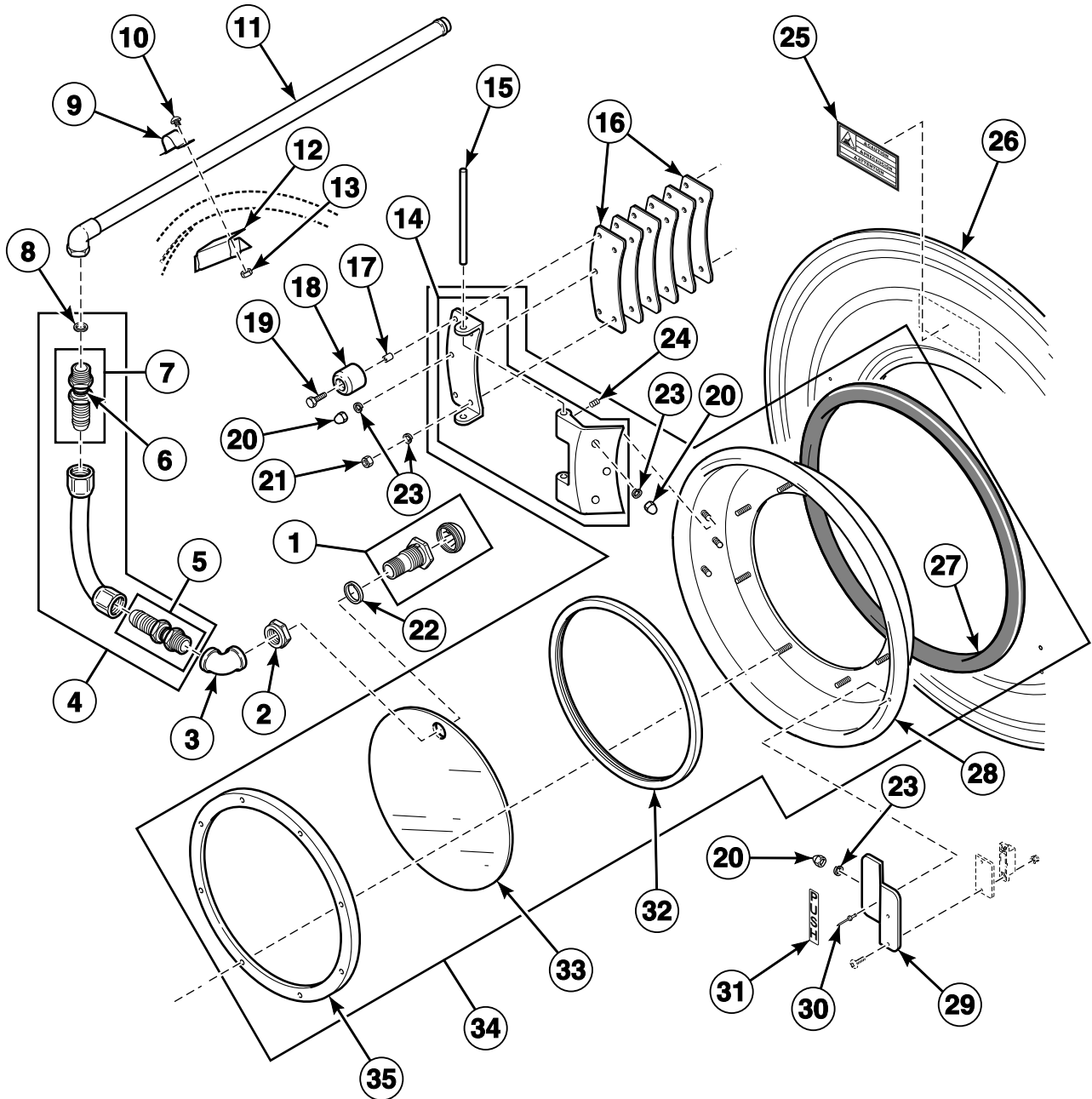
PHM2871PA_F8163601

Door Assembly - Models Through 10/3/10

REF	PART NO.	DESCRIPTION	COMMENTS
1	F431005	Nut	
2	F431026	Nut	
3	F430103	Screw	
4	F150366	Door Bumper Moulding	
5	F430416	Door Bumper Bushing	
6	F200030600P	Door Hinge Strap Kit	
7	F601815	Door Hinge Pin	
8	F0610695-00	Door Butt Shim	
9	F200085000	Hot Surface Warning Decal	
10	F8011301P	Shell Front Kit	Includes item 9 and F170120RP Shell Band Gasket
	F200120000	Shell Front Assembly	Includes items 1, 2, 4-6, 8, 9, 12, F150201 Top Latch Bracket Casting, F150202 Lower Door Latch Bracket Casting, F150203 Door Handle Casting, F150204 Lower Door Latch Casting and F430939 Screw
11	F430502	Screw	
12	F431100	Washer	
13	F170145	Door Gasket	Black
	F017014501	Door Gasket	Gray
14	F730307	Door Kit	Studded
15	F746202-1	Push Handle Kit	Includes item 17, F340703 Magnet, F430231 Nut, F430916 Screw, F431108 Washer, F431125 Washer, F603683 Door Push Brace and F607257 Push Handle
16	F431210	Pop Rivet	
17	F230303	Push Decal	
18	F170117	Door Glass Gasket	
19	F290200P	Door Glass Kit	With hole; Models UW80TV, UW100TV and all other models with a 3 in the 8th position
	F290201P	Glass	Without hole; All other models
20	F230652	Clockwise Spin Rotation Decal	
21	F601239	Door Glass Retainer	
22	F730540	Door Kit	With hole; Models UW80TV, UW100TV and all other models with a 3 in the 8th position; Includes items 2, 6, 11-15, 17-19, 21, F410102 Clear Sealant, F340703 Magnet, F430232 Nut and F430909 Screw
	F730095	Door Kit	Without hole; All other models; Includes items 2, 6, 11-15, 17-19, 21, F410102 Clear Sealant, F340703 Magnet, F430232 Nut and F430909 Screw

Door and Spray Tube Assembly - Models Starting 10/4/10

UWL, UWN and UWU Models

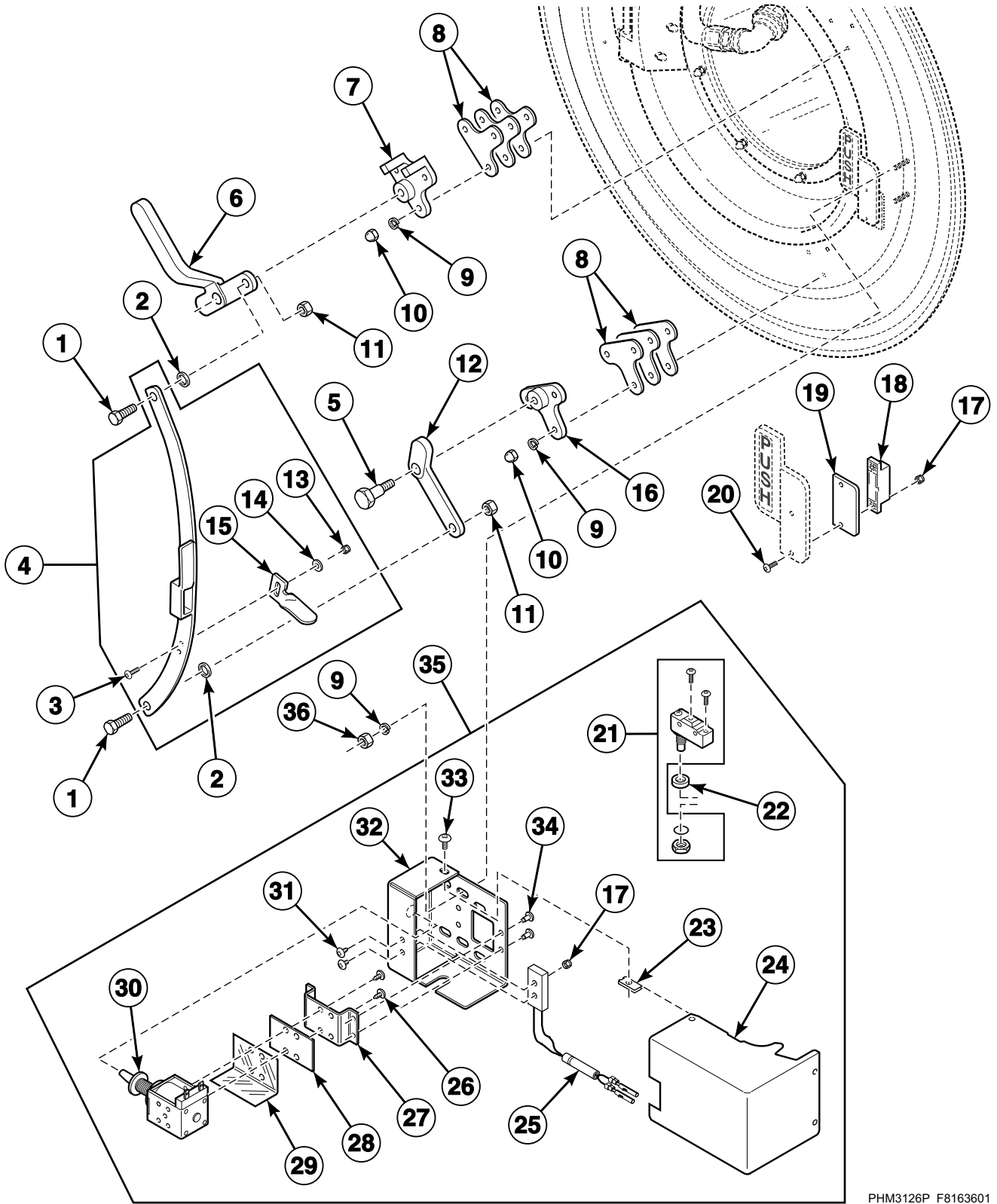


PHM3136P_F8163601

Door and Spray Tube Assembly - Models Starting 10/4/10

REF	PART NO.	DESCRIPTION	COMMENTS
1	F8356301	Door Spray Nozzle Assembly	Models with 3 in the 8th position
2	F8322601	Nut	Models with 3 in the 8th position
3	F422319	Elbow	Models with 3 in the 8th position
4	F8379801	Spray Rinse Hose Assembly	Includes items 5-8; Models with 3 in the 8th position
5	F422109	No-Swivel Coupling	Models with 3 in the 8th position
6	F170201	O-Ring	Models with 3 in the 8th position
7	F422108	Swivel Coupling	Models with 3 in the 8th position
8	F310206	Ring Retainer	Models with 3 in the 8th position
9	F602880	Spray Rinse Strap	Models with 3 in the 8th position
10	F430917	Screw	Models with 3 in the 8th position
11	F8126202	Spray Pipe Assembly	Models with 3 in the 8th position
12	F602901P	Spray Rinse Bracket Assembly	Includes items 10 and 13; Models with 3 in the 8th position
13	F431022	Nut	Models with 3 in the 8th position
14	F200030600P	Door Hinge Strap Kit	Includes items 25 and 37
15	F601815	Door Hinge Pin	
16	F0610695-00	Door Butt Shim	
17	F430416	Door Bumper Bushing	
18	F150366	Door Bumper Moulding	
19	F430103	Screw	
20	F431026	Nut	
21	F431005	Nut	
22	F8322701	Spray Nozzle Gasket	Models with 3 in the 8th position
23	F431100	Washer	
24	F430502	Screw	
25	F200085000	Hot Surface Warning Decal	
26	F8011301P	Shell Front Kit	Includes item 25 and F170120RP Shell Band Gasket
	F200120000	Shell Front Assembly	Includes items 14, 16-18, 21, 23, 25, F150201 Top Latch Bracket Casting, F150202 Lower Door Latch Bracket Casting, F150203 Door Handle Casting, F150204 Lower Door Latch Casting and F430939 Screw
27	F170143	Door Gasket	Black
	F017014301	Door Gasket	Gray
28	F730307	Door Kit	Studded
29	F746201-1	Push Handle Kit	Includes item 31, F340703 Magnet, F430231 Nut, F430916 Screw, F431108 Washer, F431125 Washer, F603683 Door Push Brace and F607257 Push Handle
30	F431210	Pop Rivet	
31	F230303	Push Decal	
32	F170117	Door Glass Gasket	
33	F8350501P	High Hole Glass	Models with 3 in the 8th position
	F290201P	Glass	Without hole; All other models
34	F8350701	Door Assembly	Models with 3 in the 8th position; Includes items 20, 22-24, 27-29, 32 and 33
	F730095	Door Kit	All other models; Without hole; Includes items 14, 20, 23-24, 27-29, 31-33, 35, F410102 Clear Sealant, F340703 Magnet, F430232 Nut and F430909 Screw
35	F601239	Door Glass Retainer	

Door Lock

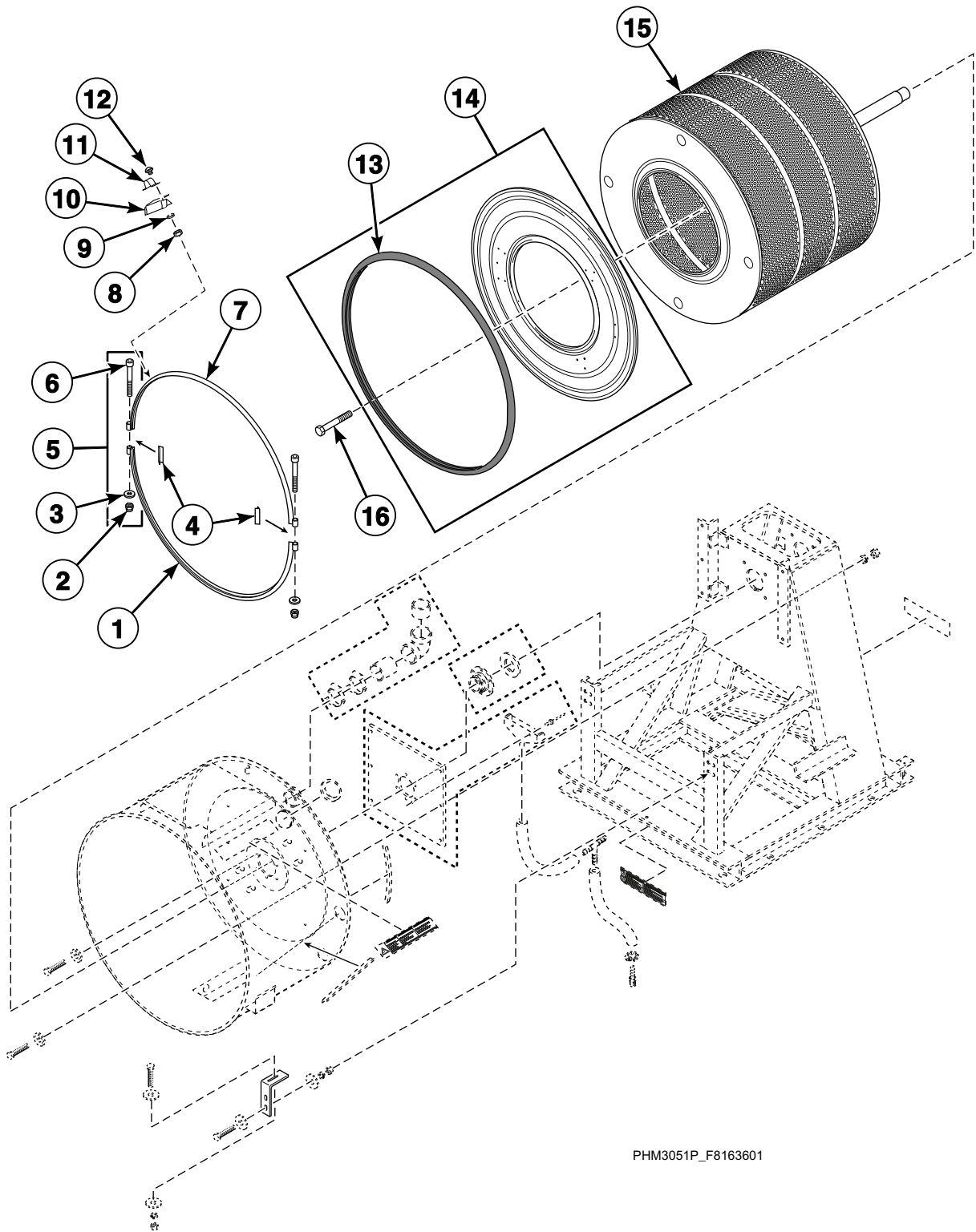


PHM3126P_F8163601

Door Lock

REF	PART NO.	DESCRIPTION	COMMENTS
	F8029101	Door Lock Harness	
1	F430927	Screw	
2	F431118	Washer	
3	F430916	Screw	
4	F8062001	Extension Arm Assembly	Includes items 3 and 13-15
5	F430168	Screw	
6	F150203	Door Handle Casting	
7	F150201P	Top Latch Bracket Casting	
8	F602058	Door Latch Bracket Shim	
9	F431100	Washer	
10	F431026	Nut	
11	F430202	Nut	
12	F150204	Lower Door Latch Casting	
13	F430231	Nut	
14	F431108	Washer	
15	F601639	Extension Arm Tab	
16	F150202	Lower Door Latch Bracket Casting	
17	F430231	Nut	
18	F8390801	Magnet	
19	F609822	Handle Spacer	
20	F430909	Screw	
21	F8165201	Door Switch	
22	F601055	Interlock Switch Spacer	
23	F430264	Nut	
24	F8132201	Door Lock Cover	
25	F8066801P	Reed Switch Assembly	
26	F430995	Screw	
27	F8127501	Solenoid Mount Bracket	
28	F8133601	Door Lock Solenoid Shim	
29	F8135301	Door Lock Dielectric Shield	
30	F300129P	Door Lock Solenoid	
31	F430917	Screw	
32	F8127401	Lock Bracket	
33	F430956	Screw	
34	F431210	Pop Rivet	
35	F8127703P	Door Lock Assembly	Includes items 17 and 21-34
36	802337	Nut	

Basket, Shell and Frame (Drawing 1 of 2)

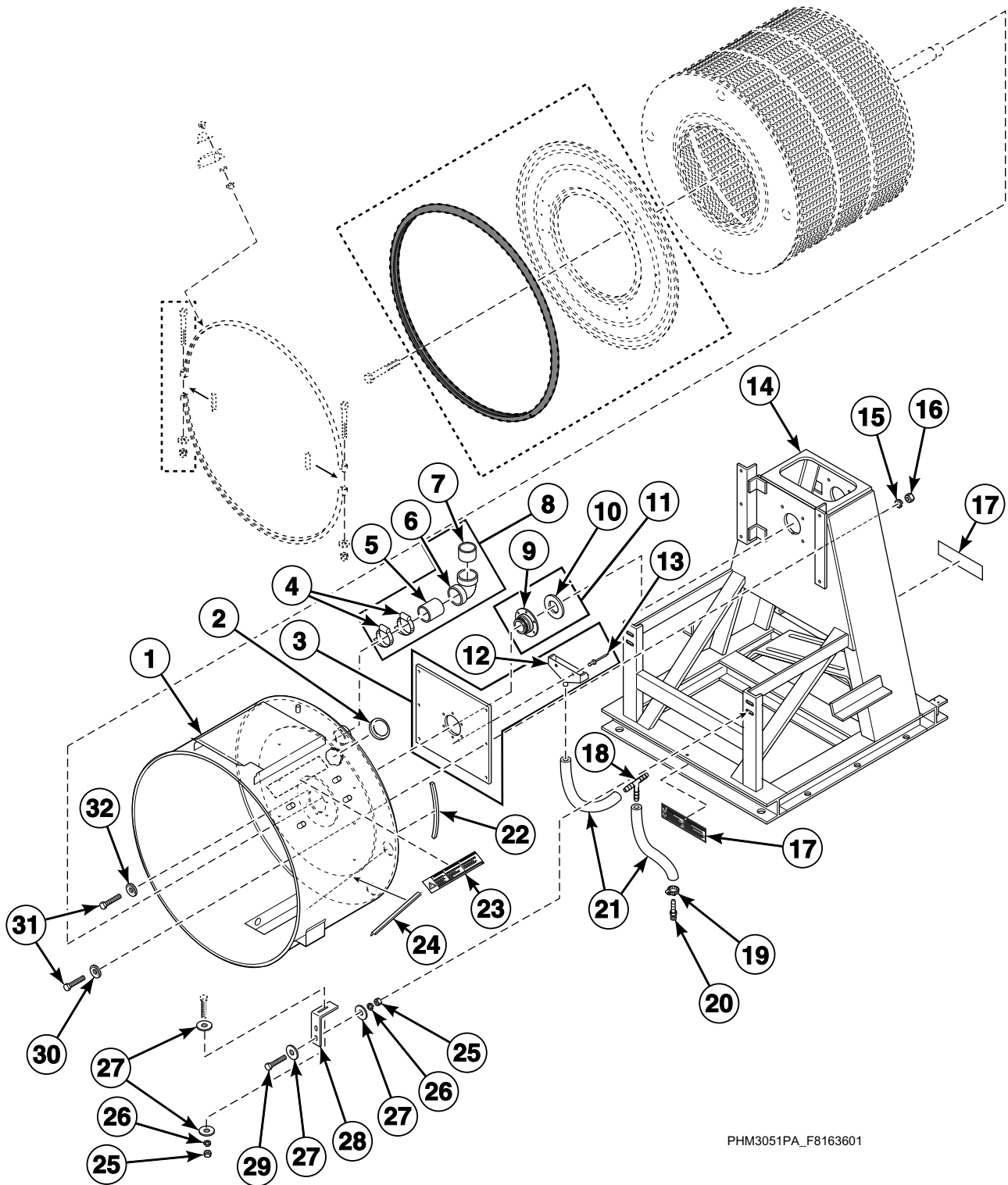


PHM3051P_F8163601

Basket, Shell and Frame (Drawing 1 of 2)

REF	PART NO.	DESCRIPTION	COMMENTS
1	F603911	Shell Band Assembly	Bottom
2	F430215	Nut	
3	F430317	Washer	
4	F601216	Shell Gasket Shield	
5	F791001	Shell Band Fastener Kit	Includes items 2, 3 and 6
6	F430518	Screw	
7	F603910	Shell Band Assembly	Top
8	F431022	Nut	
9	F431113	Washer	
10	F602901P	Spray Rinse Bracket Assembly	
11	F602880	Spray Rinse Strap	
12	F430917	Screw	
13	F170120RP	Shell Band Gasket	Models UW80TV and UW100TV
	F8302002	Shell Band Gasket	All other models
14	F8011301P	Shell Front Kit	Includes item 13 and F200085000 Hot Surface Warning Decal
15	F632403	Basket Assembly	Models UW80TV, UWL080T3V, UWN080T3V and UWU080T3V
	F630764	Basket Assembly	Models UW100TV, UWL100T3V, UWN100K1M, UWN100K1V, UWN100T3V and UWU100T3V
16	70391101	Screw	

Basket, Shell and Frame (Drawing 2 of 2)

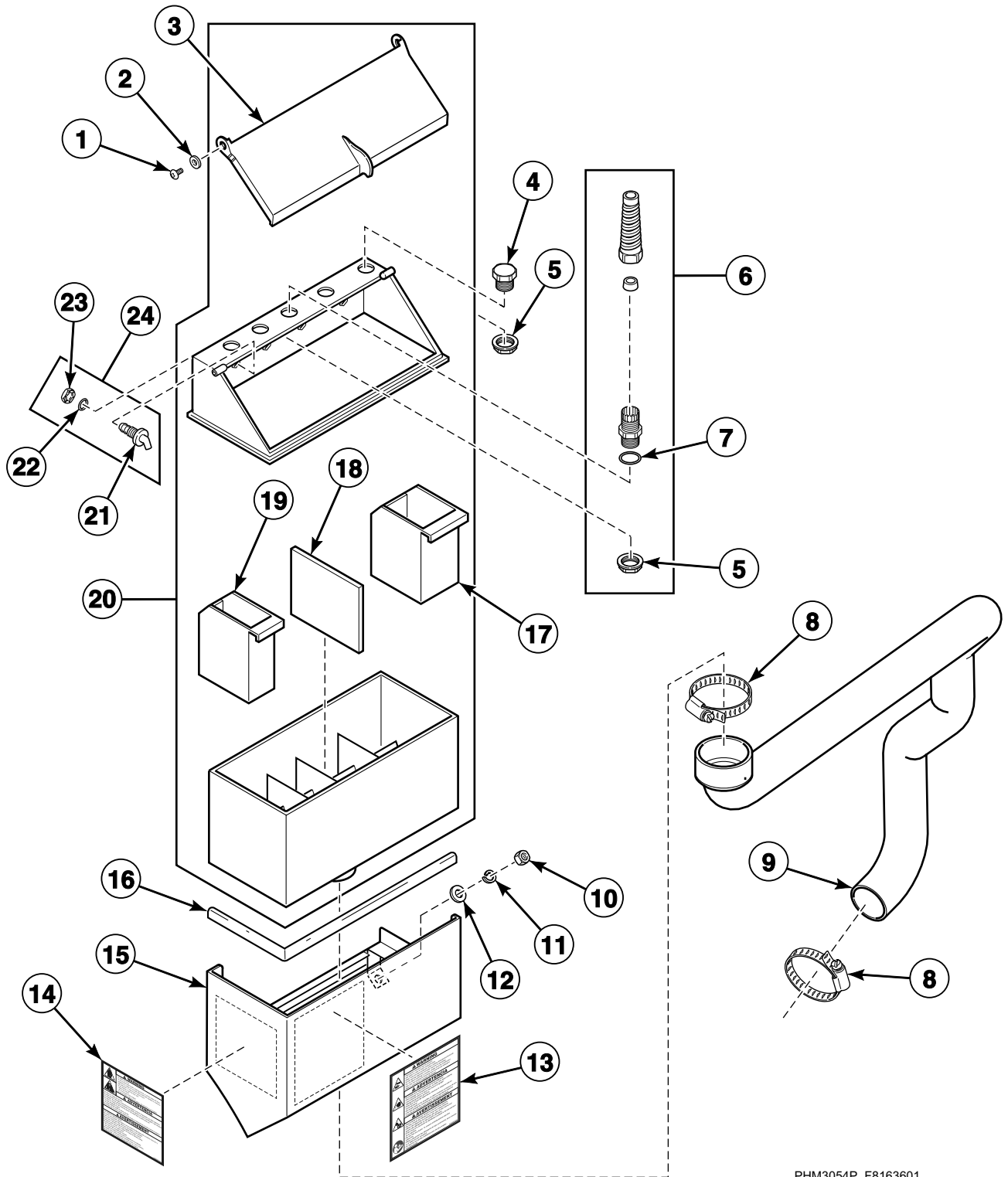


PHM3051PA_F8163601

Basket, Shell and Frame (Drawing 2 of 2)

REF	PART NO.	DESCRIPTION	COMMENTS
1	F8082501	Shell Weldment	Model UW80TV; Standard
	F8082502	Shell Weldment	Model UW80TV; Electric heat
	F8273401	Shell Weldment	UWL080, UWN080 and UWU080 models through 10/3/10; Standard
	F8378001	Shell Weldment	UWL080, UWN080 and UWU080 models starting 10/4/10; Standard
	F8273402	Shell Weldment	UWL080, UWN080 and UWU080 models through 10/3/10; Electric heat
	F8378002	Shell Weldment	UWL080, UWN080 and UWU080 models starting 10/4/10; Electric heat
	F8082801	Shell Weldment	Model UW100TV; Standard
	F8082802	Shell Weldment	Model UW100TV; Electric heat
	F8273501	Shell Weldment	UWL100, UWN100 and UWU100 models through 10/3/10; Standard
	F8378101	Shell Weldment	UWL100, UWN100 and UWU100 models starting 10/4/10; Standard
	F8273502	Shell Weldment	UWL100, UWN100 and UWU100 models through 10/3/10; Electric heat
	F8378102	Shell Weldment	UWL100, UWN100 and UWU100 models starting 10/4/10; Electric heat
2	F0200237-00	Plug	
3	F8084201	Shell Reinforcement Plate Assembly	Includes items 12 and 13
4	F200213	Hose Clamp	
5	F0603139-03	Drain Hose	
6	F422900	Elbow	
7	F0602364-04	Pipe	
8	F8261301	Vent Hose	Includes items 4-7
9	F8162001	Face Seal	Standard
	F8161901	Face Seal	Viton
10	F100204	Slinger	
11	F798827-00	Seal Kit	Includes items 9 and 10, F170120RP Shell Band Gasket and sealant; Standard seal
12	F150389	Scupper	
13	F431215	Pop Rivet	
14	F8088701	Frame Weldment	80 pound models
	F8090501	Frame Weldment	100 pound models
15	M400013	Washer	
16	70142	Nut	
17	44127701	Warning Label	
18	F8137401	Tee	
19	36801	Hose Clamp	No. 6
20	F421929	Hose Barb	
21	F200107P	Water Hose	
22	F100284	Trim Seal	1.5 feet
23	F200085500	Moving Parts Plug Warning Decal	
24	F150364	Drip Rail	
25	F430205	Nut	
26	M400014	Washer	
27	M400081	Washer	
28	F601806	Shell Mounting Bracket	
29	F430924	Screw	
30	F431116	Washer	
31	F430913	Screw	
32	F431112	Washer	

Supply Dispenser

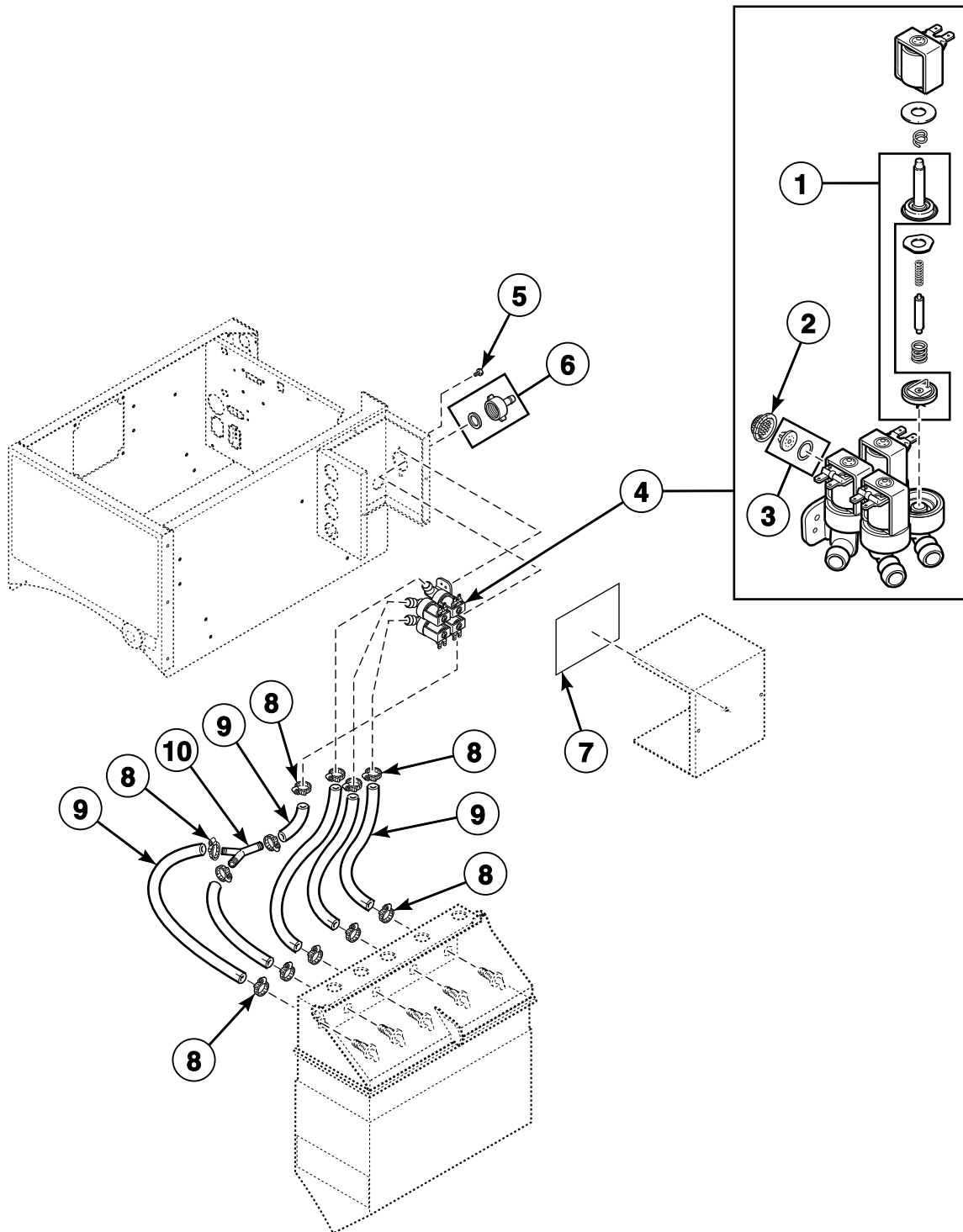


PHM3054P_F8163601

Supply Dispenser

REF	PART NO.	DESCRIPTION	COMMENTS
1	F430917	Screw	
2	F8195301	Washer	
3	F0150514-00	Dispenser Lid	
4	F190304	Plug Cap	
5	F140340P	Strain Relief Connector	
6	F749802	Strain Relief Adapter Kit	Includes items 5 and 7
7	F170215	O-Ring	
8	F200213	Hose Clamp	No. 40
9	F150471	Chemical Supply Hose	Model UW80TV
	F8265601	Chemical Supply Hose	UWL080, UWN080 and UWU080 models
	F0150470-00	Chemical Supply Hose	Model UW100TV
	F8265801	Chemical Supply Hose	UWL100, UWN100 and UWU100 models
10	F431005	Nut	
11	F431100	Washer	
12	F431147	Washer	
13	F200085300	Hot Water and Chemical Caution Decal	
14	F200085100	Spin Warning Decal	
15	F8024301	Soap Dispenser Shroud Weldment	
16	F170400RP	Trim	
17	F150386	Chemical Supply Cup	32 ounce; 2 used
18	F0150525-00	Supply Dispenser Spacer	
19	F150385	Chemical Supply Cup	20 ounce; 3 used
20	F0150512-00P	Dispenser Assembly	Includes items 3 and 17-19
21	F8322001	Injection Nozzle	
22	F170208	O-Ring	
23	802292	Nut	
24	F730168	Injection Nozzle Kit	Includes items 21-23

Water Supply Valve and Hoses to Supply Dispenser - Models Through 10/3/10



PHM3037P_F8163601

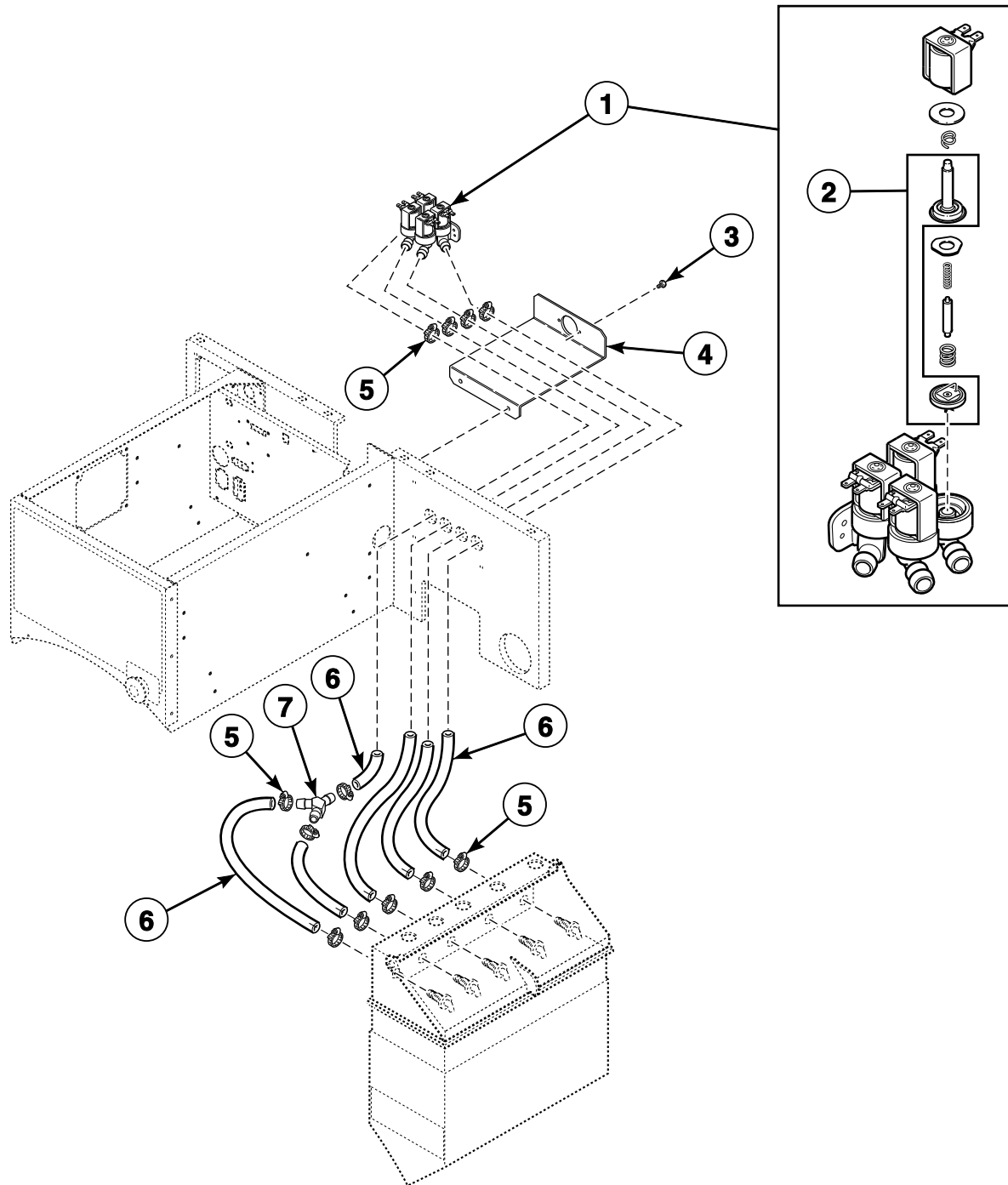
Water Supply Valve and Hoses to Supply Dispenser - Models Through 10/3/10

REF	PART NO.	DESCRIPTION	COMMENTS
1	G582P3	Diaphragm and Guide Kit	
2	F270200	Strainer	
3	N/A	Flow Restrictor	8 liter
4	F381723P	4-Way Valve	220 Volt
	F8091601P	Dispenser Valve Harness	
5	F430948	Screw	
6	F200302	Hose Connector	
7	F230754	Water Valve Assembly Decal	
8	36801	Hose Clamp	No. 6
9	F200110P	Water Hose	
10	F422816	Y Connector	

N/A = Part no longer available

Water Supply Valve and Hoses to Supply Dispenser - Models Starting 10/4/10

UWL, UWN and UWU Models



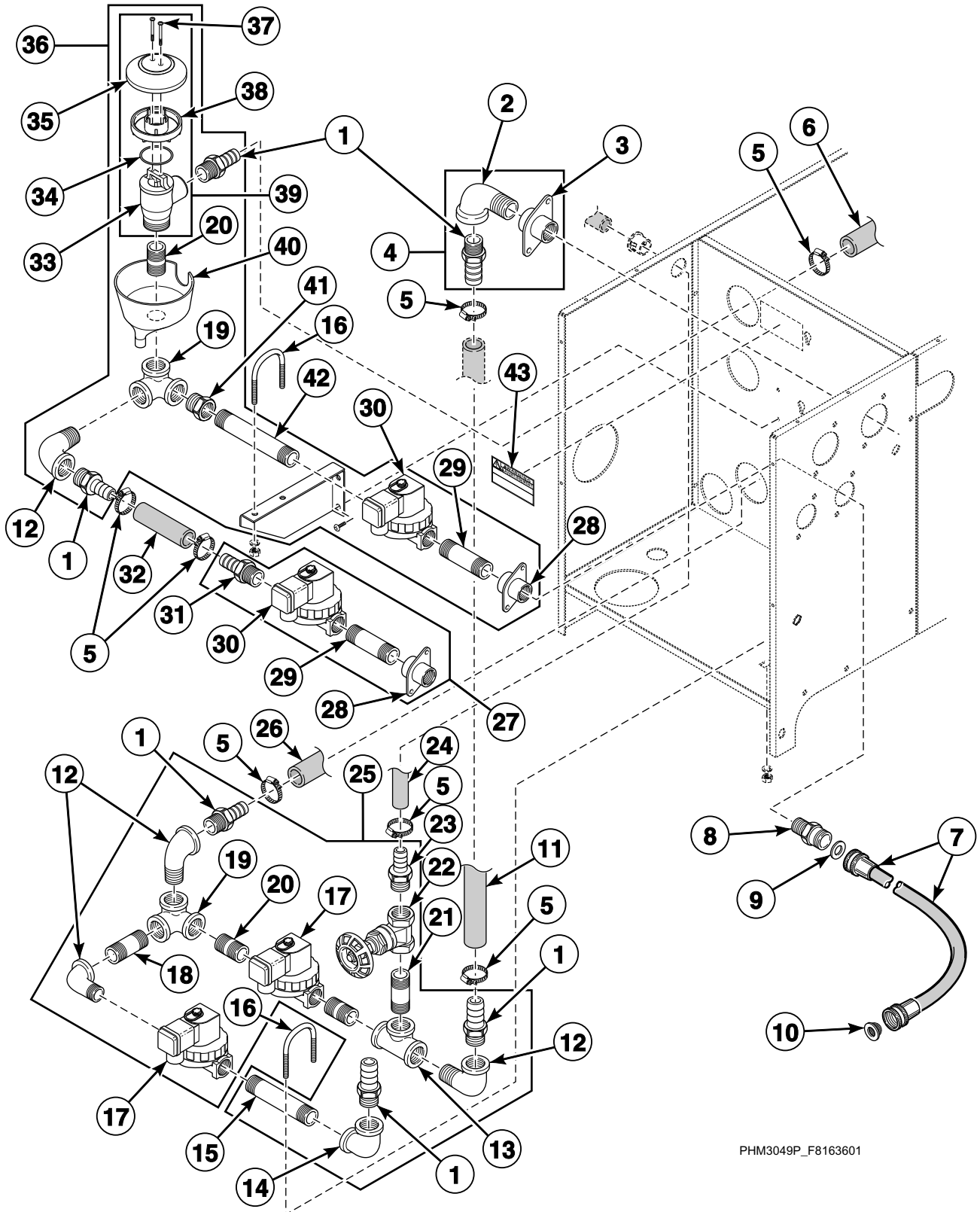
PHM3117P_F8163601

Water Supply Valve and Hoses to Supply Dispenser - Models Starting 10/4/10

REF	PART NO.	DESCRIPTION	COMMENTS
1	F8336601	4-Way Valve	240 Volt; Includes regulator
	F8347301	Dispenser Valve Harness	
2	G582P3	Diaphragm and Guide Kit	
3	F430948	Screw	
4	F8331901	Valve Mounting Bracket	
5	36801	Hose Clamp	No. 6
6	F200110P	Water Hose	
7	F422816	Y Connector	

Spray and Fill Plumbing Assemblies - Models Through 10/3/10

Models UW80TV, UW100TV, UWL080T3V, UWL100T3V, UWN080T3V, UWN100T3V, UWU080T3V and UWU100T3V



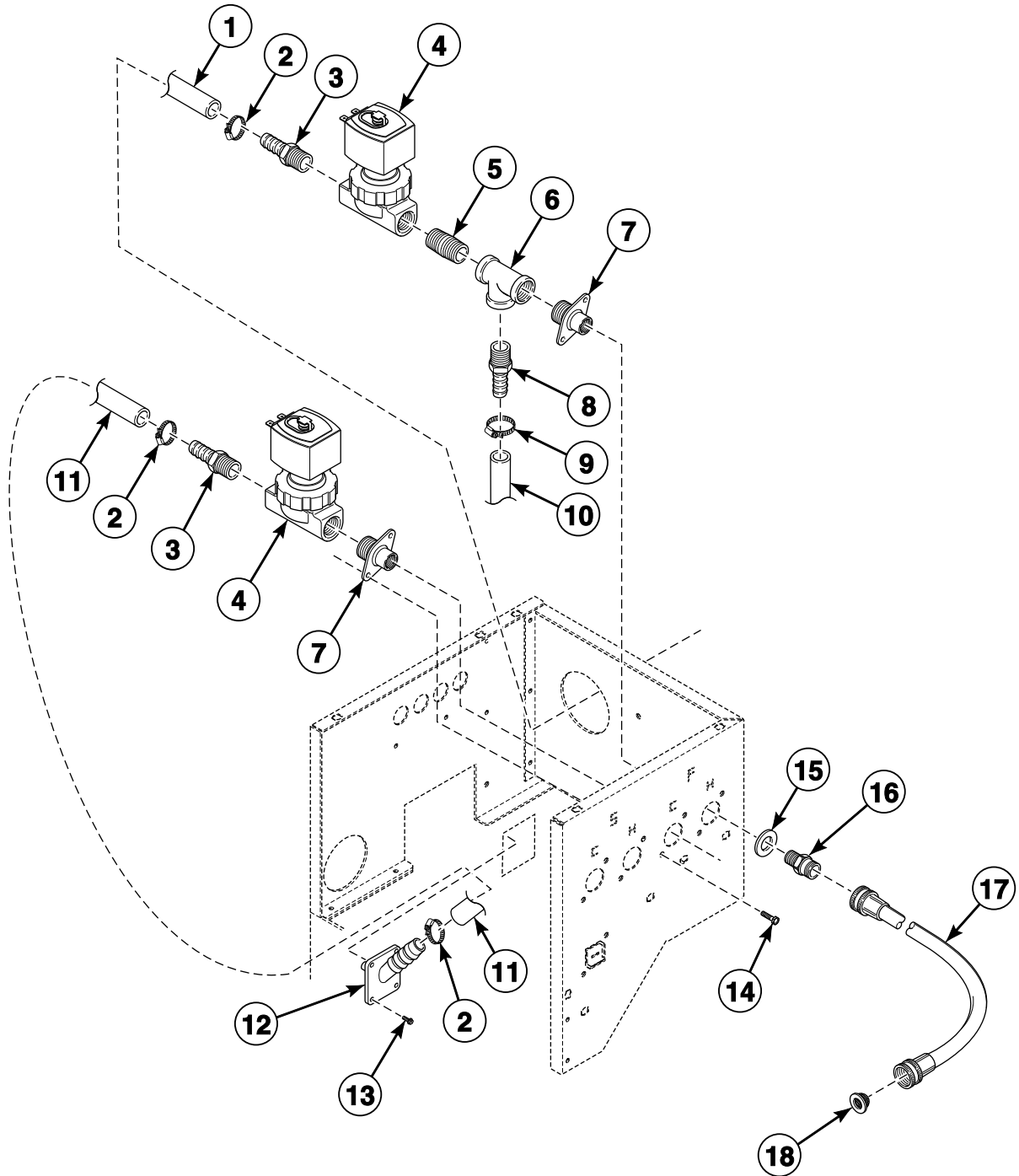
PHM3049P_F8163601

Spray and Fill Plumbing Assemblies - Models Through 10/3/10

REF	PART NO.	DESCRIPTION	COMMENTS
	F8073601P	Supply/Fill Module Harness	
	F8073701P	Fill/Spray Valve Harness	
1	F421951	Hose Barb	
2	F420502	Street Elbow	
3	F8154502	Coupling	
4	F8117101	Fill Plumbing Connection	Includes items 1-3
5	F200222	Hose Clamp	No. 12
6	F200104P	Hose	Order 3 feet
7	F200164	Water Hose	Standard thread
	F200166	Water Hose	Metric thread
8	F421909	Hose Adapter	Standard thread; 3/4 x 3/4 inch
	F421908	Hose Adapter	Standard thread; 3/4 x 1/2 inch
	F8265701	Adapter	Metric thread
9	20290	Washer	
10	803615	Washer	
11	F8137502	Hose	
12	F420502	Street Elbow	
13	F420402	Tee	
14	F420503	Elbow	
15	F420108	Nipple	
16	F200401P	U-Bolt Clamp	
17	F381701P	Valve	
	F380995P	Water Valve Rebuild Kit	
18	F8110201	Nipple	
19	F420509	Elbow	
20	F420105	Nipple	
21	F420101	Nipple	
22	F380500	Gate Valve	
23	F421964	Hose Barb	
24	F200165	Water Hose	
25	F8100401	Fill Plumbing Assembly	Includes items 1, 12-15 and 17-23
26	C002657	Hose	
27	F8116801	Cold Spray Plumbing Assembly	Includes items 28-31
28	F8154501	Coupling	
29	F420103	Nipple	
30	F381703P	Valve	
31	F8110701	Hose Barb	
32	F8137504	Hose	
33	F380800P	Vacuum Breaker Valve	
34	F0170221-00	O-Ring	
35	F0380808-00	Vacuum Breaker Cap	
36	F8074701	Hot Spray Plumbing Assembly	Includes items 1, 12, 19, 20, 28-30, 34, 35 and 37-42
37	F430938	Screw	
38	F0380809-00	Containment Device	
39	F063754701P	Vacuum Breaker Valve	Includes items 33-35, 37 and 38
40	F8118401	Catch Basin	
41	F8100301	Reducer Bushing	
42	F8110601	Nipple	
43	F8233501	Warning Label	

Fill Plumbing Assemblies - Models Starting 10/4/10

UWL, UWN and UWU Models



PHM3139P_F8163601

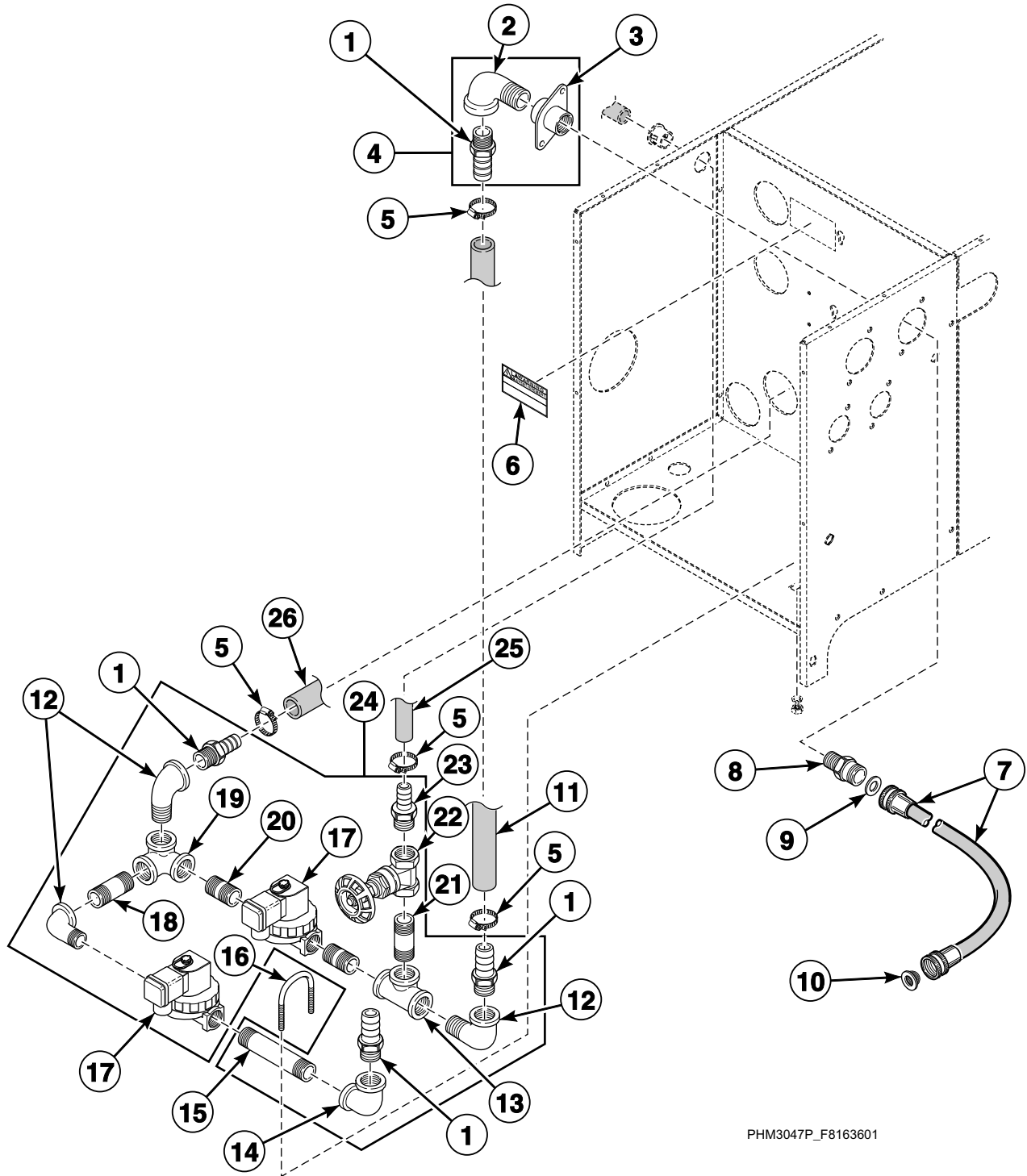
Fill Plumbing Assemblies - Models Starting 10/4/10

REF	PART NO.	DESCRIPTION	COMMENTS
	F8347501	Fill/Supply Harness	
	F8347102	Fill Valve Harness	
1	F8137505	Hose	
2	36801	Hose Clamp	No. 8
3	F421951	Hose Barb	
4	F8322901P	Valve	3/4 inch; Brass
5	C000417	Nipple	3/4 inch; Brass
6	N/A	Tee	
7	F8362702	Coupling	3/4 inch
8	F8110701	Hose Barb	
9	F200222	Hose Clamp	No. 12
10	C002658	Hose	Order 2 feet
11	F200165	Water Hose	
12	F8351601	Fill Port	
13	70442301	Screw	
14	20253	Screw	
15	20290	Washer	
16	F421909	Hose Adapter	Standard thread; 3/4 x 3/4 inch
	F421908	Hose Adapter	Standard thread; 3/4 x 1/2 inch
	F8265701	Adapter	Metric thread
17	F200164	Water Hose	Standard thread
	F200166	Water Hose	Metric thread
18	803615	Washer	Filter

N/A = Part no longer available

Fill Plumbing Assembly - Models Through 10/3/10

Models UWL080K1M, UWL100K1M, UWN080K1M, UWN080K1V, UWN100K1M,
UWN100K1V, UWU080K1M and UWU100K1M



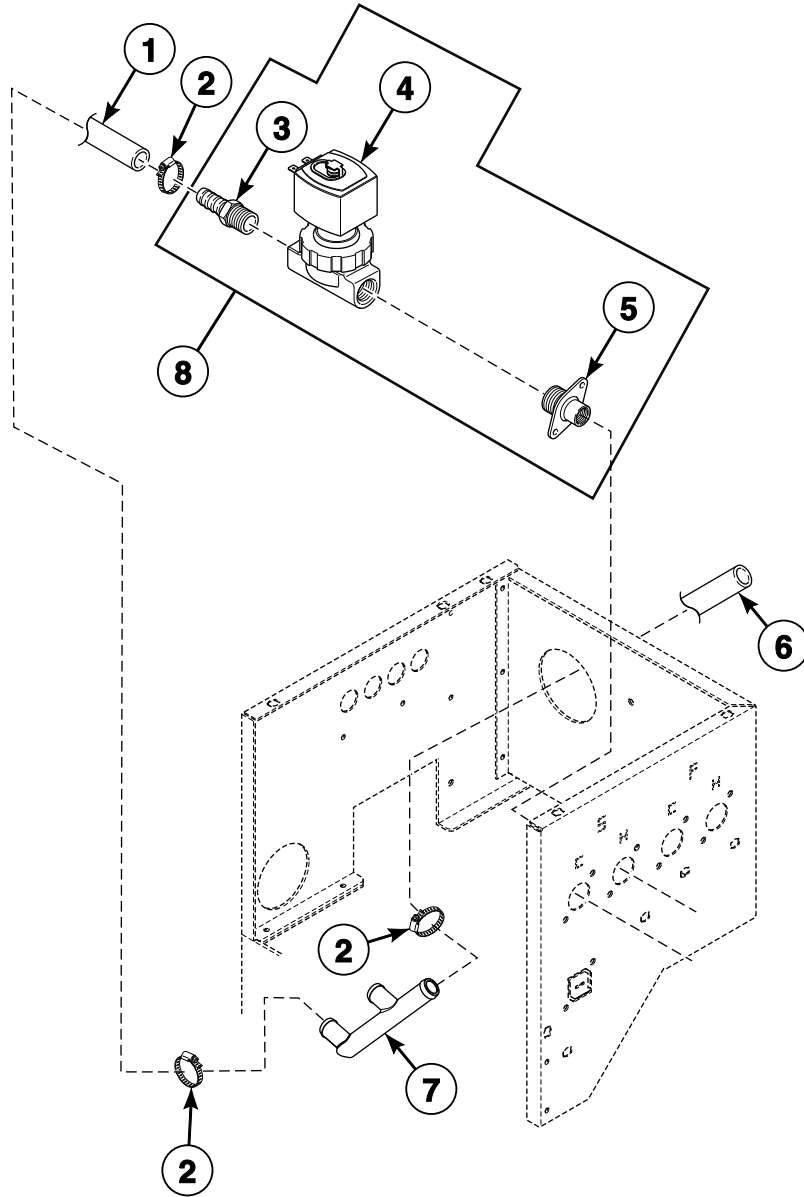
PHM3047P_F8163601

Fill Plumbing Assembly - Models Through 10/3/10

REF	PART NO.	DESCRIPTION	COMMENTS
	F8073601P	Supply/Fill Module Harness	
	F8158901P	Fill/Supply Harness	
	F8073702P	Fill Valve Harness	
1	F421951	Hose Barb	
2	F420502	Street Elbow	
3	F8154502	Coupling	
4	F8117101	Fill Plumbing Connection	Includes items 1-3
5	F200222	Hose Clamp	No. 12
6	F8233501	Warning Label	
7	F200164	Water Hose	Standard thread
	F200166	Water Hose	Metric thread
8	F421909	Hose Adapter	Standard thread; 3/4 x 3/4 inch
	F421908	Hose Adapter	Standard thread; 3/4 x 1/2 inch
	F8265701	Adapter	Metric thread
9	20290	Washer	
10	803615	Washer	
11	F8137502	Hose	
12	F420502	Street Elbow	
13	F420402	Tee	
14	F420503	Elbow	
15	F420108	Nipple	
16	F200401P	U-Bolt Clamp	
17	F381701P	Valve	
	F380995P	Water Valve Rebuild Kit	
18	F8110201	Nipple	
19	F420509	Elbow	
20	F420105	Nipple	
21	F420101	Nipple	
22	F380500	Gate Valve	
23	F421964	Hose Barb	
24	F8100401	Fill Plumbing Assembly	Includes items 1, 12-15 and 17-23
25	F200165	Water Hose	
26	C002657	Hose	

Spray Plumbing Assembly - Models Starting 10/4/10

Models with 3 in the 8th Position

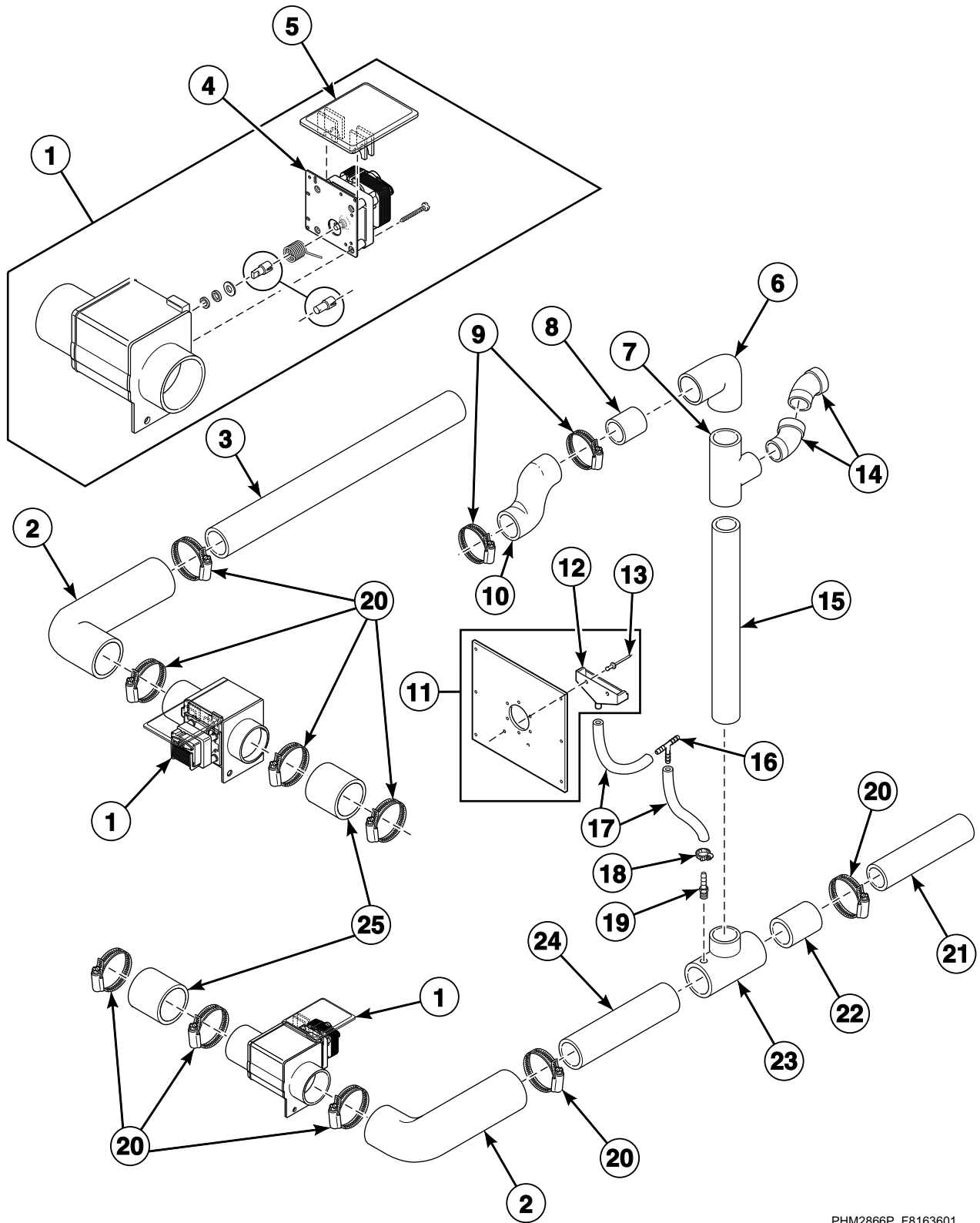


PHM3137P_F8163601

Spray Plumbing Assembly - Models Starting 10/4/10

REF	PART NO.	DESCRIPTION	COMMENTS
	F8347501	Fill/Supply Harness	
	F8347102	Fill Valve Harness	
1	F8232007	Hose	
2	36801	Hose Clamp	No. 8
3	F421930	Hose Barb	
4	F8322801P	Valve	1/2 inch; Brass
	F380984P	Steam Valve Repair Kit	
5	F8362701	Coupling	3/4 inch
6	F8137503	Hose	
7	F8333201	Manifold	
8	F8288301	Fill Plumbing Assembly	Includes items 3-5

Drain - Models Through 10/3/10



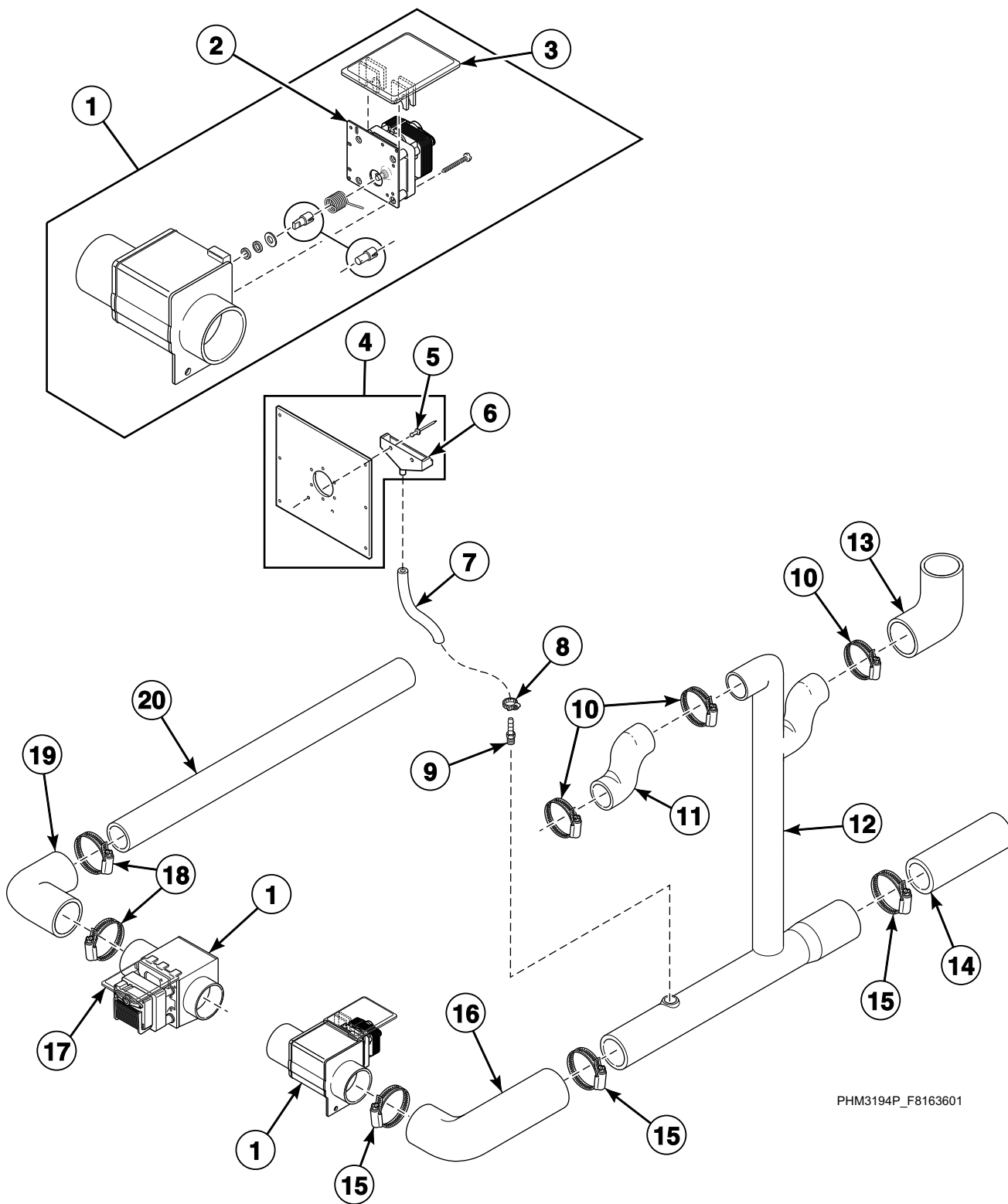
PHM2866P_F8163601

Drain - Models Through 10/3/10

REF	PART NO.	DESCRIPTION	COMMENTS
	F8028301P	Drain Valve Harness	Standard
	F8257002	Drain Valve Harness	Steam heat
	F8257101	Dual Drain Harness	
1	F200166402	Drain Valve Kit	220 Volt
2	F150437	Drain Hose	Rear
3	F0602365-06	Pipe	Model UW80TV
	F0602365-27	Pipe	Model UW100TV
4	F380933P	Drain Valve Motor	220 Volt; Keyed shaft
5	F200133600	Drain Valve Cover	
6	F422901	Elbow	
7	F422803	Tee	
8	F0602365-16	Pipe	
9	F200213	Hose Clamp	No. 40
10	F8386201	Overflow Hose	
11	F8084201	Shell Reinforcement Plate Assembly	Includes items 12 and 13
12	F150389	Scupper	
13	F431215	Pop Rivet	
14	F8119201	Elbow	
15	F0602365-20	Pipe	
16	F8137401	Tee	
17	F200107P	Water Hose	
18	36801	Hose Clamp	No. 6
19	F421929	Hose Barb	
20	F200201	Hose Clamp	No. 56
21	F200165100	Drain Hose	
22	F0602365-18	Pipe	
23	F422802	Tee	
24	F0602365-12	Pipe	Model UW80TV
	F0602365-22	Pipe	Model UW100TV
25	F200275800	Hose	Front

Drain - Models Starting 10/4/10

UWL, UWN and UWU Models

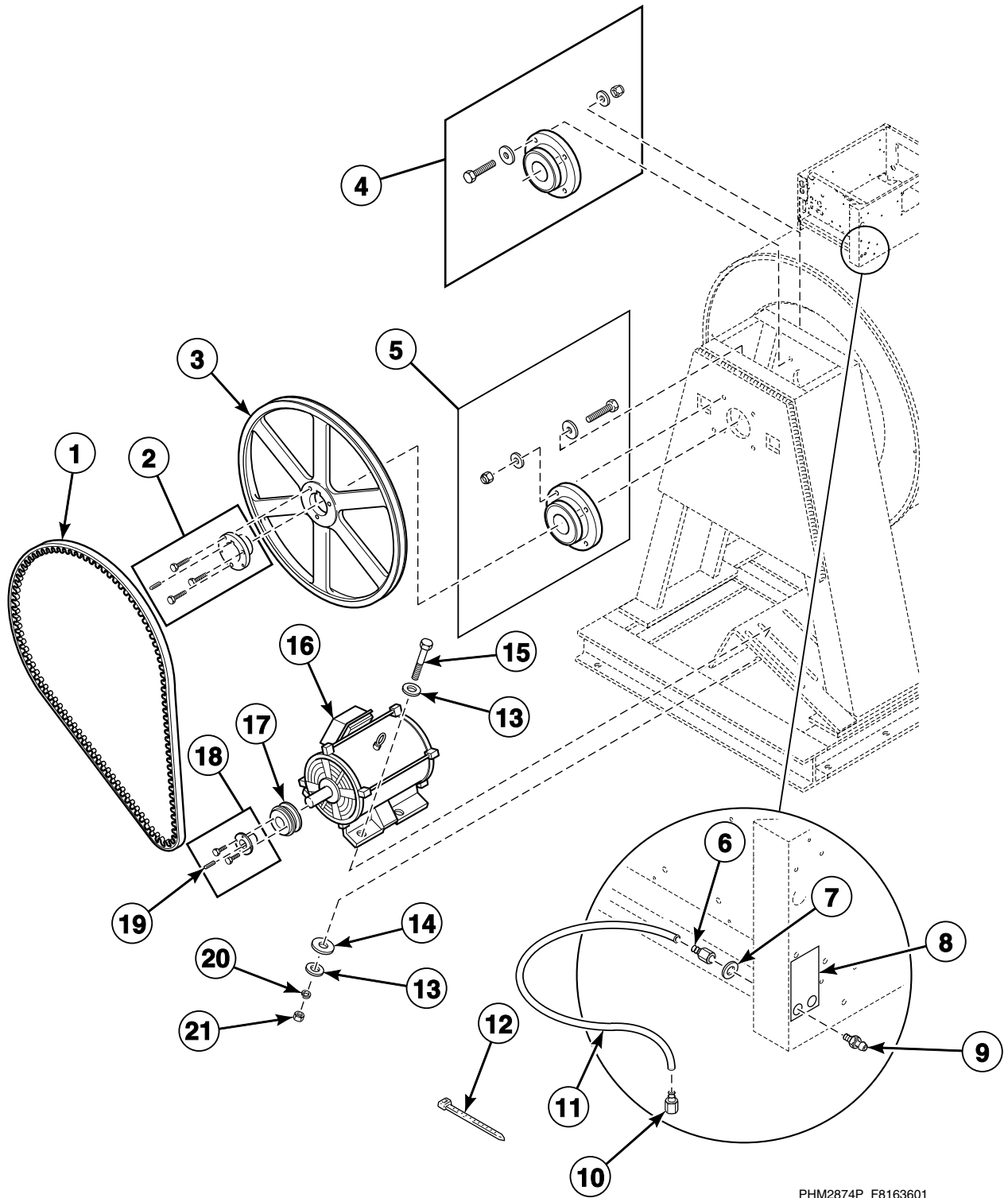


PHM3194P_F8163601

Drain - Models Starting 10/4/10

REF	PART NO.	DESCRIPTION	COMMENTS
	F8028301P	Drain Valve Harness	R-voltage
	F8257002	Drain Valve Harness	Q-voltage
	F8257101	Dual Drain Harness	
1	F200166402	Drain Valve Kit	Dual drain
2	F380933P	Drain Valve Motor	220 Volt; Keyed shaft
3	F200133600	Drain Valve Cover	
4	F8084201	Shell Reinforcement Plate Assembly	Includes items 10 and 11
5	F431215	Pop Rivet	
6	F150389	Scupper	
7	F200107P	Water Hose	
8	36801	Hose Clamp	No. 6
9	F421929	Hose Barb	
10	F200213	Hose Clamp	No. 40
11	F8386201	Overflow Hose	
12	F8351301	Molded Drain	
13	F8261303	Drain Hose	
14	F200165100	Drain Hose	
15	F200201	Hose Clamp	No. 56
16	F150438	Drain Hose	
17	F200133600	Drain Valve Cover	Dual drain
18	F200201	Hose Clamp	No. 56; Dual drain
19	F150438	Drain Hose	Dual drain
20	F0602365-27	Pipe	Dual drain

Motor, Pulley and Bearings

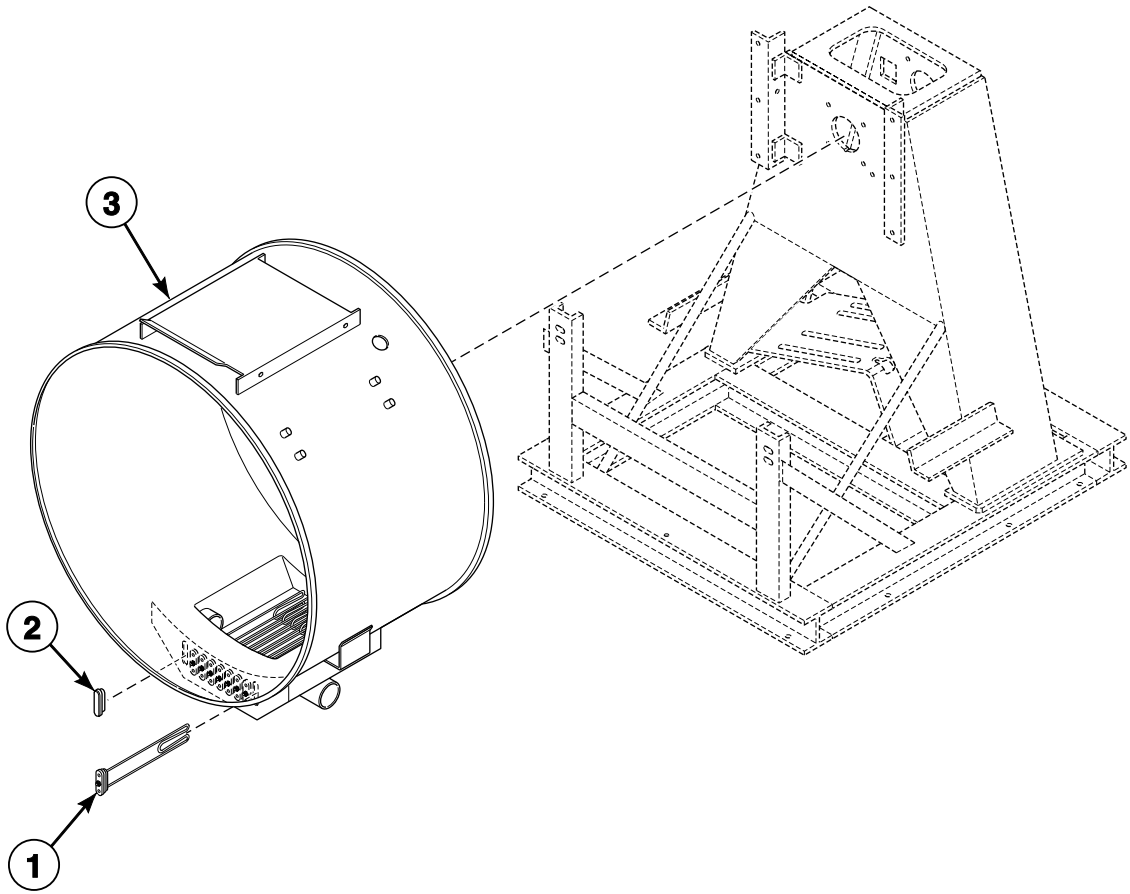


PHM2874P_F8163601

Motor, Pulley and Bearings

REF	PART NO.	DESCRIPTION	COMMENTS
	F8436801P	Shaft Lift Tool Kit	Used to reset bearings
1	F8061401	Belt	BX110; 2 required
2	F280294P	Basket Pulley Bushing	Includes screws and key; 2-7/16 inch
3	F280412	Pulley	2B305F
4	F798831-00	Front Bearing Kit	Includes seal and hardware
5	F745006	Rear Bearing Kit	
6	F422114	Air Coupling	
7	F431134	Washer	
8	F231563	Grease Instruction Decal	Lubrication
9	F190701	Grease Fitting	
	F745401	Manual Bearing Greasing Retrofit Kit	Includes items 10 and 11, F630433 Grease Manifold Bracket, F230745 Bearing Lubrication Instruction Decal, F320326 Grease Manifold, F430211 Nut, F430322 Washer, F430923 Screw, F430925 Screw and F431024 Nut
10	J1408004	Connector	
11	C000628P	Tubing	
12	F140605	Cable Tie	6 inch
13	M400081	Washer	
14	F430300	Washer	
15	F430993	Screw	
16	F8356403	Motor Retrofit Kit	AC drive parameters must be compatible with the motor and motor pulley. Please request the AC drive parameter illustration for parameter verification when ordering a motor; Used with machines manufactured with F8054201P Motor; Used with F8061301P Sheave Pulley
	F8334701P	Motor	AC drive parameters must be compatible with the motor and motor pulley. Please request the AC drive parameter illustration for parameter verification when ordering a motor; Used with F280181 Pulley
	F8049202	Motor Harness	
17	F280181	Pulley	3.4 inch OD; Used with F8334701 Motor
	F8061301P	Sheave Pulley	2BK50H; 5 inch OD; Used with F8054201 Motor
18	F280242	Motor Bushing	Includes item 19 and screws; H - 1-3/8
19	F8487101	Key	Used with F8334701 Motor
20	M400014	Washer	
21	F430205	Nut	

Electric Heat Option

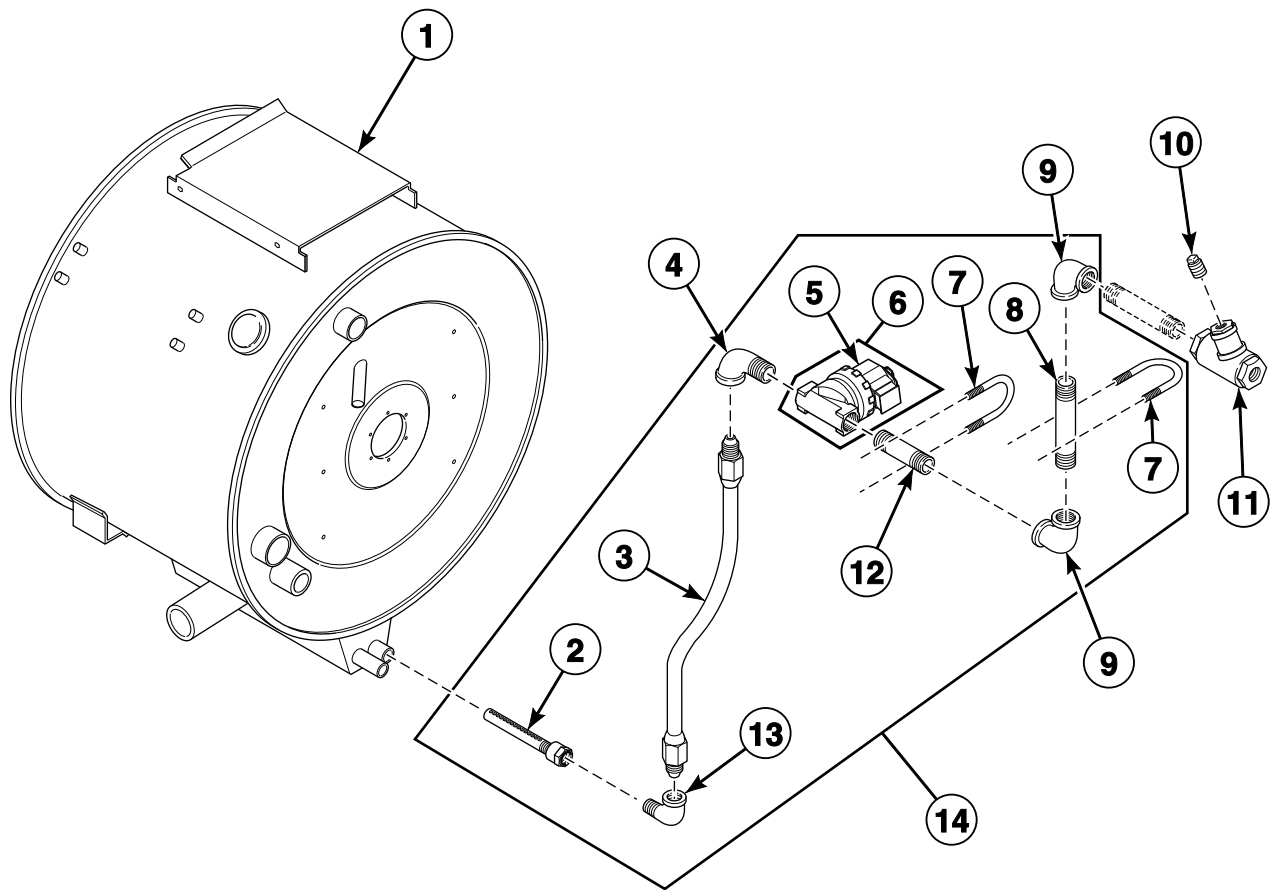


PHM2895P_F8163601

Electric Heat Option

REF	PART NO.	DESCRIPTION	COMMENTS
	F8054704P	Electric Heat Harness	R-voltage
	F8054705	Electric Heat Harness	Q-voltage
1	F360203P	Heating Element	9 required for Q-voltage; 6 required for R-voltage
	F8056701	Electric Heat Harness	R-voltage; 6-Element to Ground
	F8056702P	Electric Heat Harness	Q-voltage; 9-Element to Ground
2	F360202	Heating Element Plug	3 required for R-voltage
3	F8082502	Shell Weldment	Model UW80TV
	F8273402	Shell Weldment	Models UWL080K1M, UWL080T3V, UWN080K1M, UWN080K1V, UWN080T3V, UWU080K1M and UWU080T3V through 10/3/10
	F8378002	Shell Weldment	Models UWL080K1M, UWL080T3V, UWN080K1M, UWN080K1V, UWN080T3V, UWU080K1M and UWU080T3V starting 10/4/10
	F8082802	Shell Weldment	Model UW100TV
	F8273502	Shell Weldment	Models UWL100K1M, UWL100T3V, UWN100K1M, UWN100K1V, UWN100T3V, UWU100K1M and UWU100T3V through 10/3/10
	F8378102	Shell Weldment	Models UWL100K1M, UWL100T3V, UWN100K1M, UWN100K1V, UWN100T3V, UWU100K1M and UWU100T3V starting 10/4/10

Steam Heat Option - Models Through 10/3/10

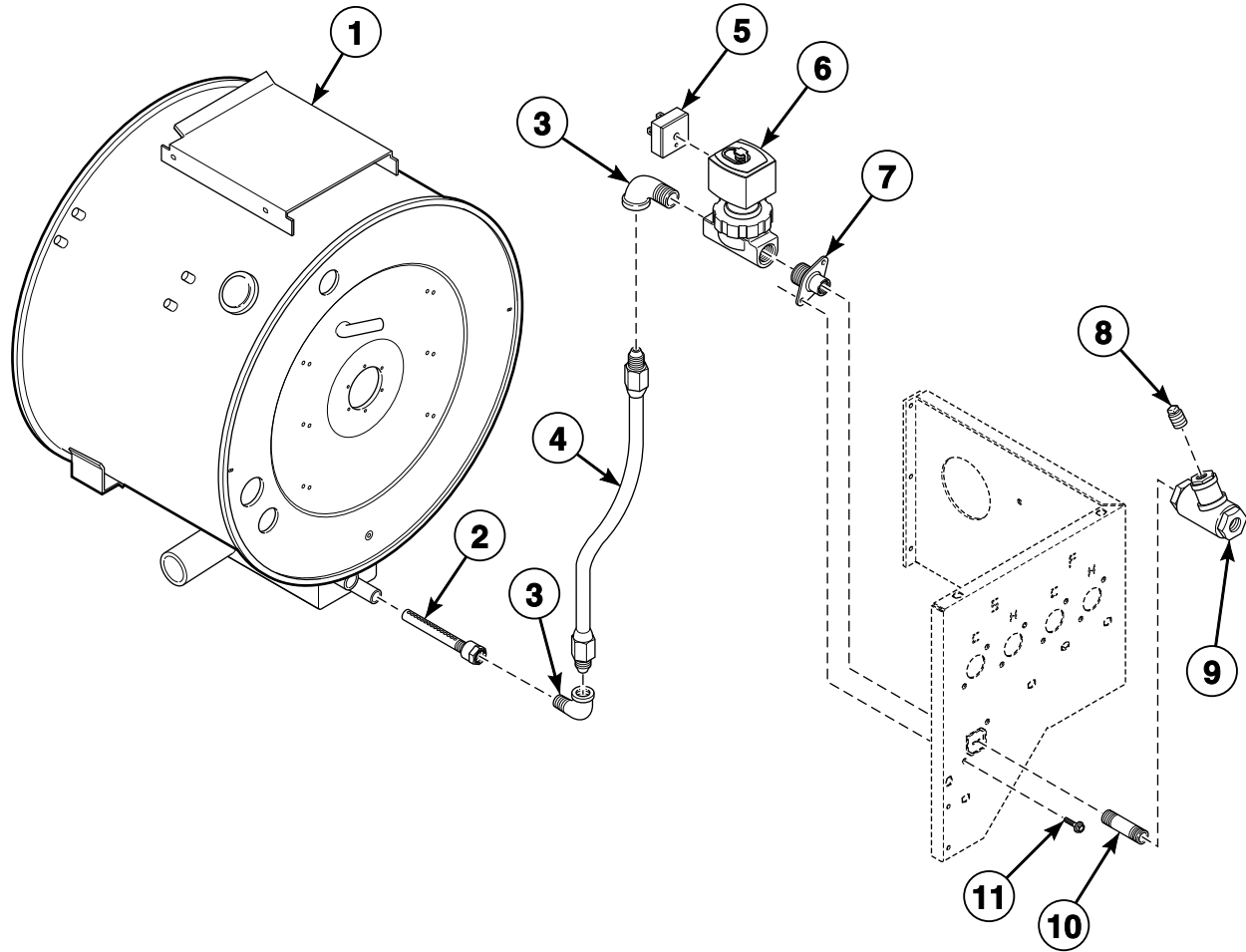


PHM3053P_F8163601

Steam Heat Option - Models Through 10/3/10

REF	PART NO.	DESCRIPTION	COMMENTS
1	F8082501	Shell Weldment	Model UW80TV
	F8273401	Shell Weldment	Models UWL080K1M, UWL080T3V, UWN080K1M, UWN080K1V, UWN080T3V, UWU080K1M and UWU080T3V
	F947P3	Steam Heat Kit	Includes items 2-14 and F8028302 Drain Valve Harness
	F8082801	Shell Weldment	Model UW100TV
	F8273501	Shell Weldment	Models UWL100K1M, UWL100T3V, UWN100K1M, UWN100K1V, UWN100T3V, UWU100K1M and UWU100T3V
2	F603131	Steam Injector Tube Assembly	
3	F200197	Steam Hose	
4	H86070034	Street Elbow	
5	F380987P	DIN Coil	220 Volt
6	F380787P	Steam Valve	1/2 inch; 220 Volt; F380984 Steam Valve Repair Kit
7	F200401P	U-Bolt Clamp	
8	70263801	Pipe Nipple	
9	70079601	Elbow	
10	F420409	Plug	
11	F270307	Steam Filter	
12	901403	Pipe Nipple	
13	F421703	Street Elbow	
14	F8104501	Steam Assembly	Includes items 2-9, 12 and 13

Steam Heat Option - Models Starting 10/4/10

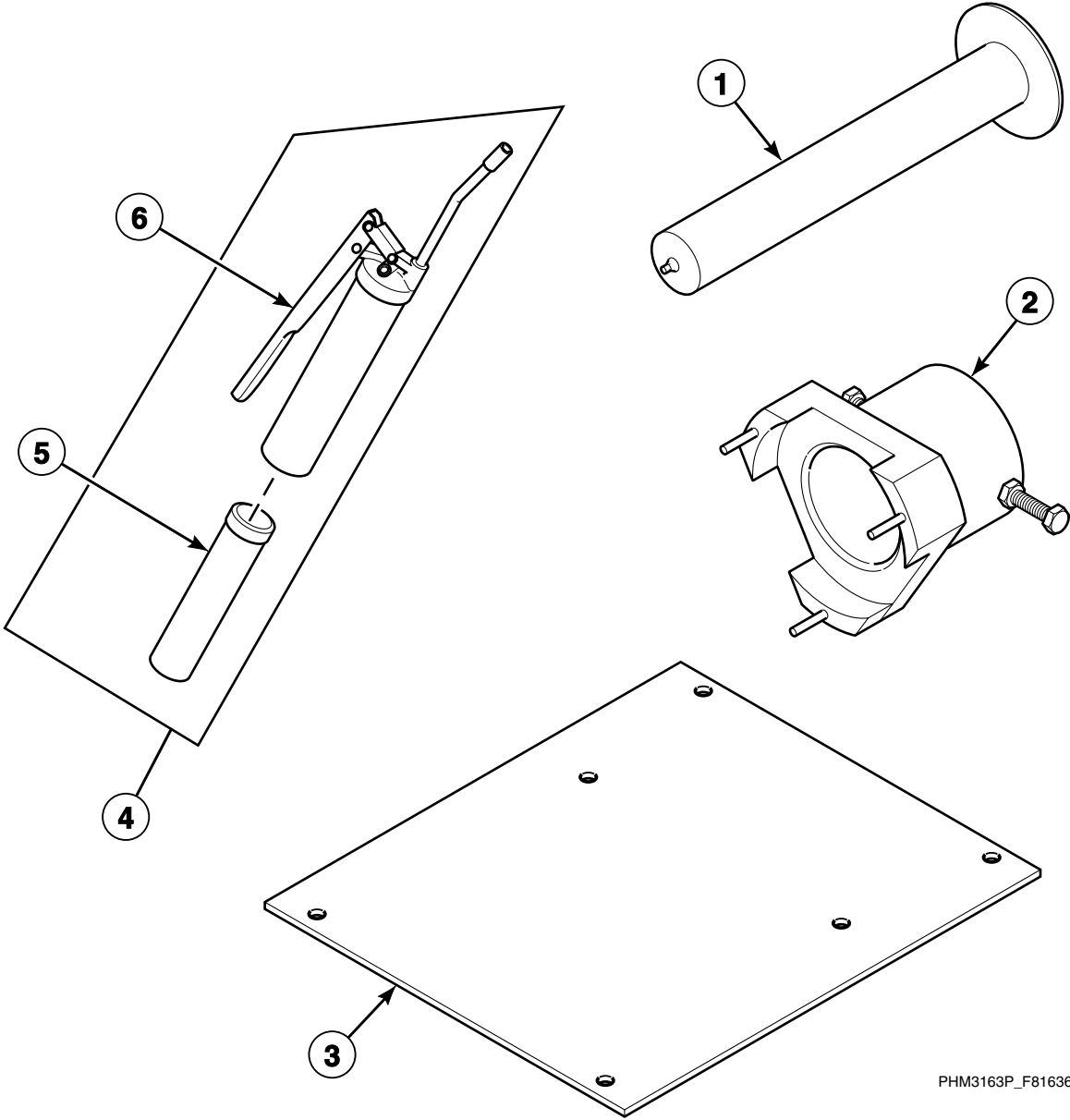


PHM2132K_F8163601

Steam Heat Option - Models Starting 10/4/10

REF	PART NO.	DESCRIPTION	COMMENTS
	F8394501	Steam Assembly	Includes items 2-11
	F943P3	Steam Heat Kit	Includes items 2-11 and F8257002 Drain Valve Harness
1	F8378001	Shell Weldment	Models UWL080K1M, UWL080T3V, UWN080K1M, UWN080K1V, UWN080T3V, UWU080K1M and UWU080T3V
	F8378101	Shell Weldment	Models UWL100K1M, UWL100T3V, UWN100K1M, UWN100K1V, UWN100T3V, UWU100K1M and UWU100T3V
2	F603131	Steam Injector Tube Assembly	
3	F421703	Street Elbow	
4	F200197	Steam Hose	
5	F8382301	DIN Valve Adapter Kit	
6	F8322801P	Valve	1/2 inch; 220 Volt
	F380984P	Steam Valve Repair Kit	
7	F8362701	Coupling	
8	F420409	Plug	
9	F270307	Steam Filter	
10	901403	Pipe Nipple	
11	70321501	Screw	

Special Tools



PHM3163P_F8163601

Special Tools

REF	PART NO.	DESCRIPTION	COMMENTS
	F730055-1	Mounting Bolt Kit	
	F923P3	Wet-Clean Kit	Models UW80TV and UW100TV
	F925P3	Wet-Clean Kit	All other models
	F924P3	Reuse Kit	
	F8167901	USB IR Device Assembly	
	F8133301	UniLinc PC and PDA Software CD	
	F8133701	UniLinc PC and PDA Software CD	Programmer's version
	F798772	Rebar Frame Kit	
	1113P	Concrete Hardware Kit	
	F8498101	Concrete Epoxy Kit	
1	F633430	Shaft Assembly	
2	F200284800	Seal Alignment Fixture Assembly	
	F0100314-00	Shaft Seal Alignment Fixture	
3	F601648	Rebar Frame Template	
4	F798700	Grease Gun Kit	Includes items 4 and 5
5	F210206P	Bearing Grease	
6	F210207P	Grease Gun	

Parts Index

A

AC Drive	
F8169666	15
F8169667	15
F8169668	15
F8169669	15
Adapter	
F8265701	45, 47, 49
Air Coupling	
F422114	57
Air Trap Hose	
F020014200	11
Auxiliary Control Assembly	
F8189401	11

B

Back Water Panel	
F8374901	25
Balance Switch Bracket	
F8124301	19
Basket Assembly	
F630764	35
F632403	35
Basket Pulley Bushing	
F280294P	57
Bearing Grease	
F210206P	65
Belt	
F8061401	57
Belt Access Guard Panel	
F8117501	21
Belt Edging	
70360901	21
Bushing	
70346501	11

C

Cable Tie	
F140605	57
Cap Plug	
F180486	13
Catch Basin	
F8118401	45
CFG Harness	
F8028110	11
F8028111	11
Chemical Supply Cup	
F150385	39
F150386	39
Chemical Supply Hose	
F0150470-00	39
F150471	39
F8265601	39
F8265801	39

Circuit Breaker	
F8303001P	17
70256901P	17
Clean Filter Daily Decal	
F200061000	9, 17
Clip	
M400984	13
Clockwise Spin Rotation Decal	
F230652	29
Cold Spray Plumbing Assembly	
F8116801	45
Communication Board	
210095P	9
Concrete Epoxy Kit	
F8498101	65
Concrete Hardware Kit	
1113P	65
Connector	
F422500	11
J1408004	57
Contact Block Switch	
F200233401	9
Contact Switch	
F8069501	9
Contacto	
F330188P	17
Containment Device	
F0380809-00	45
Control Assembly Kit	
F980P3	11
Control Board Bracket	
F8036101	9
Control Box Contactor Panel	
F8055001	9
Control Box Rear Panel	
F8170501	9
Control Box Top Panel	
F8170601	9
Control Harness Tray	
F8073003	9
F8073004	9
F8290302	9
F8290304	9
Control Kit	
F982P3	9
F983P3	9
Control Module Decal	
F8427001	9
Conversion Label	
F8099701	23, 25
F8099801	23, 25
Coupling	
F8154501	45
F8154502	45, 49
F8362701	51, 63
F8362702	47
Cover Decal	
F200318200	21

N/A items do not appear in index.

D

Diaphragm and Guide Kit G582P3	41, 43
DIN Coil F380987P	61
DIN Rail F8134101	17
DIN Valve Adapter Kit F8382301	63
Dispenser Assembly F0150512-00P	39
Dispenser Lid F0150514-00	39
Dispenser Valve Harness F8091601P	41
F8347301	43
Do Not Tamper Label F8345901	15
Door Assembly F8350701	31
Door Bumper Bushing F430416	29, 31
Door Bumper Moulding F150366	29, 31
Door Butt Shim F0610695-00	29, 31
Door Gasket F017014301	31
F017014501	29
F170143	31
F170145	29
Door Glass Gasket F170117	29, 31
Door Glass Kit F290200P	29
Door Glass Retainer F601239	29, 31
Door Handle Casting F150203	33
Door Hinge Pin F601815	29, 31
Door Hinge Strap Kit F200030600P	29, 31
Door Kit F730095	29, 31
F730307	29, 31
F730540	29
Door Latch Bracket Shim F602058	33
Door Lock Assembly F8127703P	33
Door Lock Cover F8132201	33
Door Lock Dielectric Shield F8135301	33
Door Lock Harness F8029101	33
Door Lock Solenoid F300129P	33
Door Lock Solenoid Shim F8133601	33

Door Spray Nozzle Assembly F8356301	31
Door Switch F8165201	19, 33
Drain Hose F0603139-03	37
F150437	53
F150438	55
F200165100	53, 55
F8261303	55
Drain Valve Cover F200133600	53, 55
Drain Valve Harness F8028301P	53, 55
F8257002	53, 55
Drain Valve Kit F200166402	53, 55
Drain Valve Motor F380933P	53, 55
Drip Rail F150364	37
Drive Box Bottom F8105201	23
Drive Box Bottom Panel F8284001	23
Drive Box Partition F8375901	25
Drive Box Rear Panel F8283802	23
F8376001	25
Drive Bracket F8322402	15
Drive Control Harness F8030101P	11
F8030201P	15
Drive Fan Harness F8113901	17
Drive Mounting Box F8375601	25
Drive Mounting Bracket F8386902	15
Drive Power Harness F8027802	15
Dual Drain Harness F8257101	53, 55

E

Earth Terminal Sticker M412096	17
Elbow F420503	45, 49
F420509	45, 49
F422319	27, 31
F422900	37
F422901	53
F8119201	53
70079601	61
Electric Heat Coils Harness F8054901	15
F8054903	15
Electric Heat Harness F8054601	15

N/A items do not appear in index.

F8054602	15
F8054603	15
F8054704P	59
F8054705	59
F8056701	59
F8056702P	59
Electric Shock Danger Label	
F8115501	17
Electrical Access Panel	
F8377601	25
Electrical Shock Label	
502511	9, 21, 23
Emergency Stop Harness	
F8060501	9
Emergency Stop Pushbutton	
F200233500	9
EMI Filter	
F8054001	15
F8054002	15
EMI Filter Power Harness	
F8129001	15
Ethernet Gateway Kit	
NK320	9
Expansion Clip	
70030501	9, 11, 21, 23, 25
Extension Arm Assembly	
F8062001	33
Extension Arm Tab	
F601639	33
External Supply Box	
F8055301	9
External Supply Box Cover	
F635365	9
External Supply Connection Decal	
F8059801	9
F8150201	9
External Supply Harness	
F8029501P	13
F8191201P	13
External Supply Label	
F8161701	9
Extrusion Insert	
F150397	21

F

Face Seal	
F8161901	37
F8162001	37
Female Pin Terminal	
00117	13
Fill Plumbing Assembly	
F8100401	45, 49
F8288301	51
Fill Plumbing Connection	
F8117101	45, 49
Fill Port	
F8351601	47
Fill Valve Harness	
F8073702P	49
F8347102	47, 51
Fill/Spray Valve Harness	
F8073701P	45

Fill/Supply Harness	
F8158901P	49
F8347501	47, 51
Filter	
F0270321-00P	17
F200318900P	11
Filter Retainer Guard	
F220900	11, 17
Frame Weldment	
F8088701	37
F8090501	37
Front Bearing Kit	
F798831-00	57
Front Box Cover	
F8105601	23
Front Bulkhead Panel	
F8283601	23
F8376101	25
Front Panel	
F8096201P	21
Fuse	
802492	11
802493	11

G

Gasket	
F170402P	23
Gate Valve	
F380500	45, 49
Glass	
F290201P	29, 31
Grease Fitting	
F190701	57
Grease Gun	
F210207P	65
Grease Gun Kit	
F798700	65
Grease Instruction Decal	
F231563	57
Ground Decal	
F230630	15
F230739	15
Ground Lug Connector	
M411283	17

H

Handle Spacer	
F609822	33
Harness	
F8030001	17
F8030002P	17
Harness Tray Cover	
F8073103	9
F8073104	9
F8290802	9
F8290804	9
Heating Element	
F360203P	59
Heating Element Plug	
F360202	59

N/A items do not appear in index.

High Hole Glass	
F8350501P	31
Hole Plug	
F8223801	17
Hose	
C002657	45, 49
C002658	47
F200104P	45
F200275800	53
F8137502	45, 49
F8137503	51
F8137504	45
F8137505	47
F8232007	51
Hose Adapter	
F421908	45, 47, 49
F421909	45, 47, 49
Hose Barb	
F421929	37, 53, 55
F421930	51
F421951	45, 47, 49
F421964	45, 49
F8110701	45, 47
Hose Clamp	
F200201	53, 55
F200213	37, 39, 53, 55
F200222	11, 45, 47, 49
36801	37, 41, 43, 47, 51, 53, 55
Hose Connector	
F200302	41
Hot Spray Plumbing Assembly	
F8074701	45
Hot Surface Warning Decal	
F200085000	29, 31
Hot Surface Warning Plate	
F8211901	23
Hot Water and Chemical Caution Decal	
F200085300	39

I

Injection Nozzle	
F8322001	39
Injection Nozzle Kit	
F730168	39
Insulator	
M413862	15
Interlock Switch Harness	
F8030501P	11
F8158801P	11
Interlock Switch Spacer	
F601055	33

J

Jumper Configuration Assembly	
M413507	11
Jumper Harness Assembly	
M413506	11

K

Key	
F8487101	57

L

Left Side Cover	
F8105102	23
F8283902	23
F8365002	25
Left Side Panel	
F8105702P	21
F8106002P	21
Lock Bracket	
F8127401	33
Logic Supply Power Harness	
F8060001	15
Lower Belt Guard Assembly	
F8244401P	21
F8244402	21
Lower Door Latch Bracket Casting	
F150202	33
Lower Door Latch Casting	
F150204	33

M

Magnet	
F8390801	33
Main Power Harness	
F8060301	15
Male Tab Terminal	
00177	11, 17
Manifold	
F8333201	51
Manual Bearing Greasing Retrofit Kit	
F745401	57
Molded Drain	
F8351301	55
Motor	
F8334701P	57
Motor Bushing	
F280242	57
Motor Harness	
F8049202	57
Motor Retrofit Kit	
F8356403	57
Mount on Concrete Warning Label	
F8246401	21
Mounting Bolt Kit	
F730055-1	65
Moving Parts Plug Warning Decal	
F200085500	37
Muffin Fan	
F110110	11, 17

N

Network Board Assembly	
201341	11
Network Board Bracket	
F8079401	11
Network Controller Kit	
NK220	9
Network Retrofit Kit	
NK205	9
Network Wire Harness Assembly	
44088501P	11
Nipple	
C000417	47
F420101	45, 49
F420103	45
F420105	45, 49
F420108	45, 49
F8110201	45, 49
F8110601	45
No-Swivel Coupling	
F422109	27, 31
Nut	
F430202	33
F430205	37, 57
F430211	21
F430215	35
F430218	19
F430231	11, 17, 33
F430232	11
F430264	21, 25, 33
F431005	29, 31, 39
F431022	27, 31, 35
F431026	29, 31, 33
F8322601	31
44087301	19
685846	9
70030401	21, 23
70142	37
802292	39
802337	33

O

O-Ring	
F0170221-00	45
F170201	27, 31
F170208	39
F170215	39
Output Assembly	
F8108501P	11
Output Auxiliary Power Harness	
F8028401	11
Output/Logic Harness	
F8028701	15
Overflow Hose	
F8386201	53, 55
Overlay	
F8297101	9

P

Panel Locator	
56079	21
Partition	
F8120201	23
PC Board Standoff	
210098	9
Pipe	
F0602364-04	37
F0602365-06	53
F0602365-12	53
F0602365-16	53
F0602365-18	53
F0602365-20	53
F0602365-22	53
F0602365-27	53, 55
Pipe Nipple	
70263801	61
901403	61, 63
Plug	
F0200237-00	37
F140527	13
F420409	61, 63
F8144101	17
F8223901	13, 17
M400985	13
Plug Cap	
F190304	39
Pop Rivet	
F431210	9, 11, 29, 31, 33
F431215	37, 53, 55
70058501	17, 23
Power Distribution Block Cover	
44014901P	15
Power Harness	
F8060401P	11
F8367801	11
Pulley	
F280181	57
F280412	57
Push Decal	
F230303	29, 31
Push Handle Kit	
F746201-1	31
F746202-1	29

R

Rear Bearing Kit	
F745006	57
Rear Center Panel	
F8346502	25
Rear Drive Box Panel	
F8118702	23
Rear Water Box Panel	
F8118701	23
Rebar Frame Kit	
F798772	65
Rebar Frame Template	
F601648	65
Reducer Bushing	
F421936	19

N/A items do not appear in index.

F8100301	45
Reed Switch Assembly	
F8066801P	33
Reuse Kit	
F924P3	65
Right Side Cover	
F8105101	23
F8283901	23
F8365001	25
Right Side Panel	
F8105701P	21
F8106001	21
Ring Retainer	
F310206	27, 31
Rivet	
M412763	21
Rocker Switch	
F8367701	9
Rotation Sensor	
F8066201	19
Rotation Sensor Bracket	
F8103101	19
Rotation Sensor Harness	
F8066401	19
Rub Rail	
F150409	21

S

Screw	
F430103	29, 31
F430168	33
F430502	29, 31
F430518	35
F430903	9, 11, 17
F430909	33
F430910	11
F430913	37
F430916	33
F430917	27, 31, 33, 35, 39
F430921	21
F430924	37
F430927	19, 33
F430938	45
F430948	11, 41, 43
F430956	21, 33
F430993	57
F430995	33
F8111101	19
F8117601	9, 11, 21, 23
F8122701	19
F8136601	13
F8151201	17
F8206901	11, 21, 23, 25
M411072	15, 17
M412105	17
20253	21, 23, 47
39733	15
51780	13, 17
51783	17
70182601	21
70240301	21
70321501	63
70391101	35
70442301	47

Scupper	
F150389	37, 53, 55
Seal Alignment Fixture Assembly	
F200284800	65
Seal Kit	
F798827-00	37
Shaft Assembly	
F633430	65
Shaft Lift Tool Kit	
F8436801P	57
Shaft Seal Alignment Fixture	
F0100314-00	65
Sheave Pulley	
F8061301P	57
Shell Band Assembly	
F603910	35
F603911	35
Shell Band Fastener Kit	
F791001	35
Shell Band Gasket	
F170120RP	35
F8302002	35
Shell Front Assembly	
F200120000	29, 31
Shell Front Kit	
F8011301P	29, 31, 35
Shell Gasket Shield	
F601216	35
Shell Mounting Bracket	
F601806	37
Shell Reinforcement Plate Assembly	
F8084201	37, 53, 55
Shell Weldment	
F8082501	37, 61
F8082502	37, 59
F8082801	37, 61
F8082802	37, 59
F8273401	37, 61
F8273402	37, 59
F8273501	37, 61
F8273502	37, 59
F8378001	37, 63
F8378002	37, 59
F8378101	37, 63
F8378102	37, 59
Side Electrical Box Panel	
F8364901	25
Side Panel Cover	
F8098401	21
Side Water Box Panel	
F8364801	25
Slinger	
F100204	37
Snap Bushing	
F140938	11
M402542	13, 17
M405340	11
Soap Dispenser Shroud Weldment	
F8024301	39
Solenoid Mount Bracket	
F8127501	33
Spin Warning Decal	
F200085100	39

N/A items do not appear in index.

Spray Nozzle Gasket F8322701	31
Spray Pipe Assembly F8126202	27, 31
Spray Rinse Bracket Assembly F602901P	27, 31, 35
Spray Rinse Hose Assembly F8379801	31
Spray Rinse Hose Kit F730024	27
Spray Rinse Nozzle Kit F730077	27
Spray Rinse Strap F602880	27, 31, 35
Steam Assembly F8104501	61
F8394501	63
Steam Filter F270307	61, 63
Steam Heat Kit F943P3	63
F947P3	61
Steam Hose F200197	61, 63
Steam Injector Tube Assembly F603131	61, 63
Steam Valve F380787P	61
Steam Valve Repair Kit F380984P	51, 63
Steam-Electric Switch Label F8368301	9
Step Down Power Harness F8405101	17
Strain Relief Adapter Kit F749802	39
Strain Relief Connector F140340P	39
Strainer F270200	41
Street Elbow F420502	45, 49
F421703	61, 63
H86070034	61
Supply Controls Bracket F8103001	9
Supply Dispenser Spacer F0150525-00	39
Supply/Fill Module Harness F8073601P	45, 49
Support Bracket F8302601	23
F8302602	23
Swivel Coupling F422108	27, 31

T

Tee F420402	45, 49
F422802	53
F422803	53
F8137401	37, 53

F8246601	11
Temperature Harness F8028221P	19
F8028223	19
Terminal Block M413865	15
430642	15
Terminal Block Shield 70333001	15
Thermistor Sensor F370609	19
Top Cover Panel F8105401	23
F8352702	25
Top Latch Bracket Casting F150201P	33
Top Support Brace F8099301	23
Transformer F360157P	17
201616	11
Transformer Kit 210019P	11
Trim F170400RP	39
F8152701	9
F8152703	17
Trim Seal F100284	37
Tubing C000628P	57
F8153901	11
F8153902	11

U

U-Bolt Clamp F200401P	45, 49, 61
UniLinc PC and PDA Software CD F8133301	65
F8133701	65
Upper Belt Guard F8244301P	21
F8392901	21
USB Gateway Kit NK330	9
USB IR Device Assembly F8167901	65
Use Copper Conductors Only Caution Label F8242201	17

V

Vacuum Breaker Cap F0380808-00	45
Vacuum Breaker Valve F063754701P	45
F380800P	45
Valve F381701P	45, 49
F381703P	45
F8322801P	51, 63

N/A items do not appear in index.

F8322901P	47
Valve Mounting Bracket F8331901	43
Valve, 4-Way F381723P	41
F8336601	43
Vent Hose F8261301	37

Y

Y Connector F422816	41, 43
------------------------------	--------

W

Warning Label F8233501	9, 23, 45, 49
44127701	11, 21, 23, 25, 37
Washer F430300	57
F430317	35
F431100	21, 29, 31, 33, 39
F431108	33
F431112	37
F431113	35
F431116	37
F431118	33
F431134	57
F431147	39
F8195301	39
M400013	37
M400014	19, 37, 57
M400081	19, 37, 57
M405535	21
20290	45, 47, 49
803615	45, 47, 49
Water Box Bottom F8105301	23
Water Box Bottom Panel F8283701	23
Water Box Rear Panel F8283801	23
Water Hose F200107P	37, 53, 55
F200110P	41, 43
F200164	45, 47, 49
F200165	45, 47, 49
F200166	45, 47, 49
Water Line Caution Decal F230734	23
Water Pressure Switch F8223001P	11
Water Valve Assembly Decal F230754	41
Water Valve Rebuild Kit F380995P	45, 49
Wet-Clean Kit F923P3	65
F925P3	65
Wire Label 70218701	15
Wireless Network Kit NK301	9

N/A items do not appear in index.